

# PH16x8HS DN RG PZF 03A

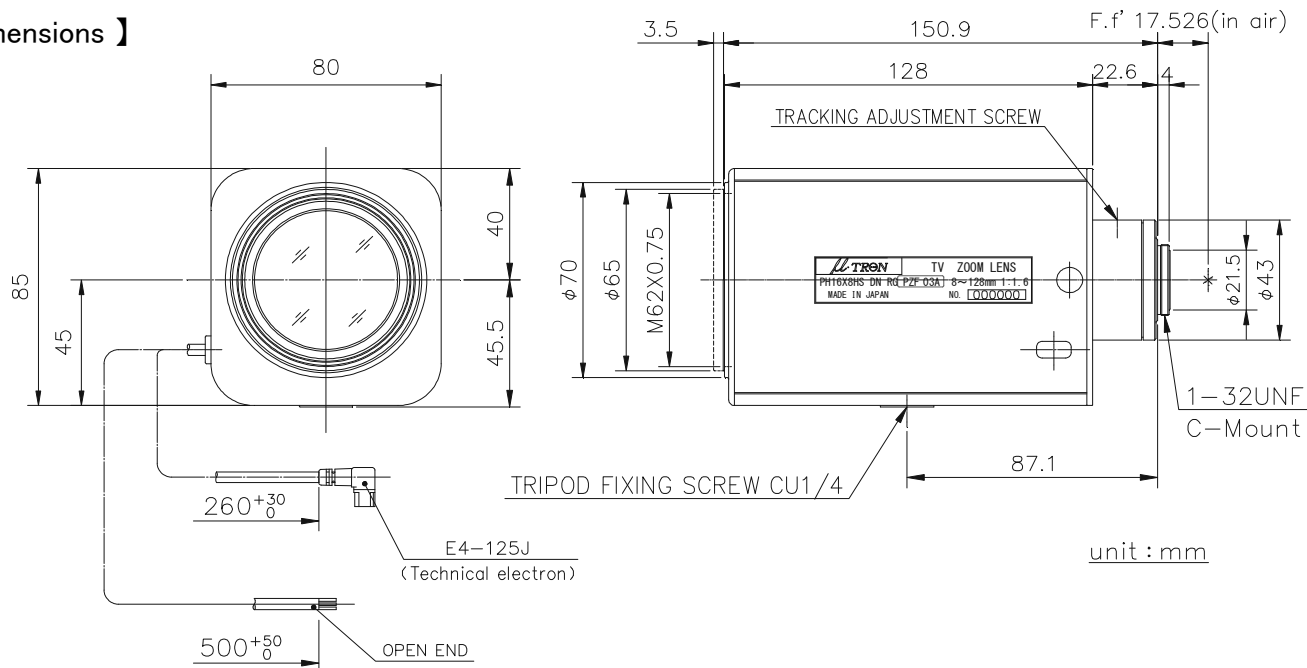
16x Zoom Lens for 1/2 & 1/3-Type 2Mega-Pixel Day & Night CCTV Camera

Full HD

## 【 Specifications 】

Image Format	1/2-inch (φ8mm) & 1/3-inch (φ 8mm)	Operation	Focus : Remote
Applicable Camera	for 1/2 & 1/3 -Type 2Mega Pixel Day&Night CCTV Camera		Zoom : Remote
			Iris : DC Auto Iris
Focal Length	8mm ~ 128mm	Operation Voltage	Focus : +6v DC
Max. Relative Aperture	1 : 1.6 (1:2.8 at 128mm)		Zoom : +6v DC
Iris Range	F1.6 ~ Approx.F560	Current Consumption	Focus : 35mA (Max.)
Angle of View (H×V)	When 1/2-Type Camera use		Zoom : 35mA (Max.)
	Wide End 46.5°× 27.0° (16:9)	Iris Operation Voltage	Close ⇒ Open : 4V (Max. 6V)
	Tele End 3.2°× 1.8° (16:9)		Open ⇒ Close : Max. 0.3V
	When 1/3-Type Camera use	Temperature Range	-10°C ~ +50°C
	Wide End 35.6°× 20.3° (16:9) / 32.8°× 24.8° (4:3)	(Operation)	( Without condensation )
	Tele End 2.4°× 1.4° (16:9) / 2.2°× 1.6° (4:3)		
Min. Object Distance	2.0m ( From Front Lens )	Back Focal Length	14.0mm ( in air )
Object Dimensions at M.O.D.	When 1/2-Type Camera use	Flange Back (F.f)	17.526mm ( in air )
	Wide End 165.1cm× 92.9cm (16:9)	Mount	C Mount
	Tele End 10.8cm× 6.1cm (16:9)		(Ajustable Lens Position)
	When 1/3-Type Camera use	Filter Size	M62X0.75mm
	Wide End 124.0cm× 69.6cm (16:9) / 113.8cm× 85.3cm (4:3)	Weight	Approx. 850g
	Tele End 8.1cm× 4.6cm (16:9) / 7.5cm× 5.6cm (4:3)		

## 【 Dimensions 】



## 【 Wiring Diagram 】

