

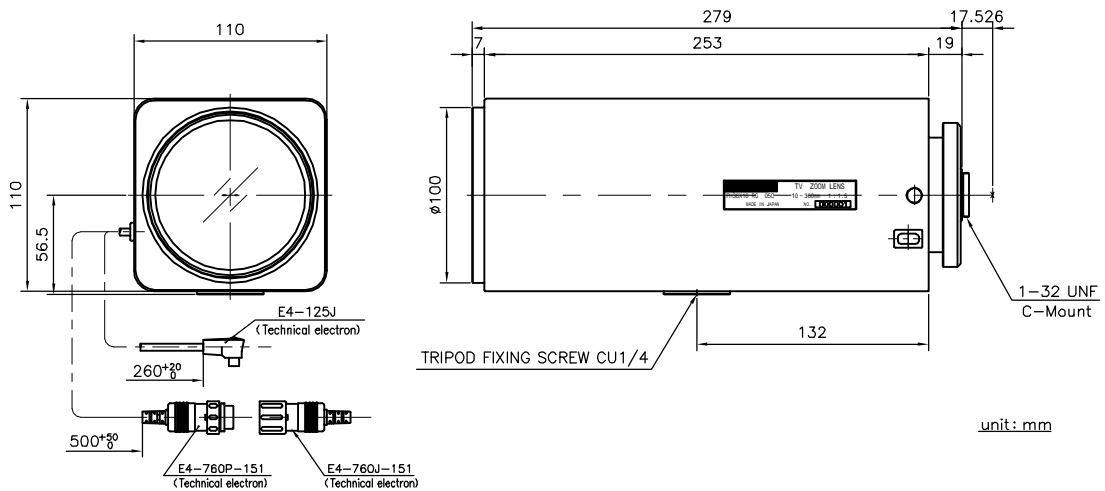
PH36X10 RG 05C

10mm~360mm 1:1.5

【 SPECIFICATIONS 】

IMAGE FORMAT	6.4mm×4.8mm (ø8mm)	INPUT VOLTAGE	ZOOM : DC±12V (35mA)
APPLICABLE CAMERA	1/2,1/3,1/4-Type CCTV cameras	(MAXIMUM CURRENT)	FOCUS : DC±12V (35mA)
FOCAL LENGTH	10mm~360mm	VOLTAGE FOR IRIS OPERATION	Close→Open: Less than 4V
ZOOM RATIO	36x		Open→Close: More than 0.5V
MAXIMUM RELATIVE IRIS	1:1.5	BACK FOCAL LENGTH	15.60mm (IN AIR)
	F1.5~APPROX.360 (LIGHT ADJUST TO COMBINE OF THE BUILT IN A ATTENUATOR AND THE IRIS.)	FLANGE BACK FOCAL LENGTH	17.526mm (IN AIR)
ANGULAR FIELD OF VIEW (HXV)	34.4°×26.1° at 10mm	OPERATION TEMPERATURE	-10°C~+50°C
(1/2-Type cameras)	1.1°×0.8° at 360mm	MOUNT	C-MOUNT (ADJUSTABLE LENS POSITION)
MINIMUM OBJECT DISTANCE	2.8m (FROM FRONT VERTEX)	FILTER SIZE	95mm P1.0
OBJECT DIMENSIONS AT M.O.D.	164cm×123cm at 10mm	SIZE/WEIGHT	110mm×110mm×279.0mm
(1/2-Type cameras)	4.9cm×3.6cm at 360mm		APPROX. 9g
OPERATION	ZOOM/FOCUS:MOTORIZED BY CONTROLLER		
	IRIS:DC AUTO IRIS		
OPERATING SPEED	ZOOM: APPROX 10sec		
	FOCUS: APPROX 10sec		
	IRIS: APPROX 2.5sec		

【 DIMENSIONS 】



【 CIRCUIT DIAGRAM 】

