

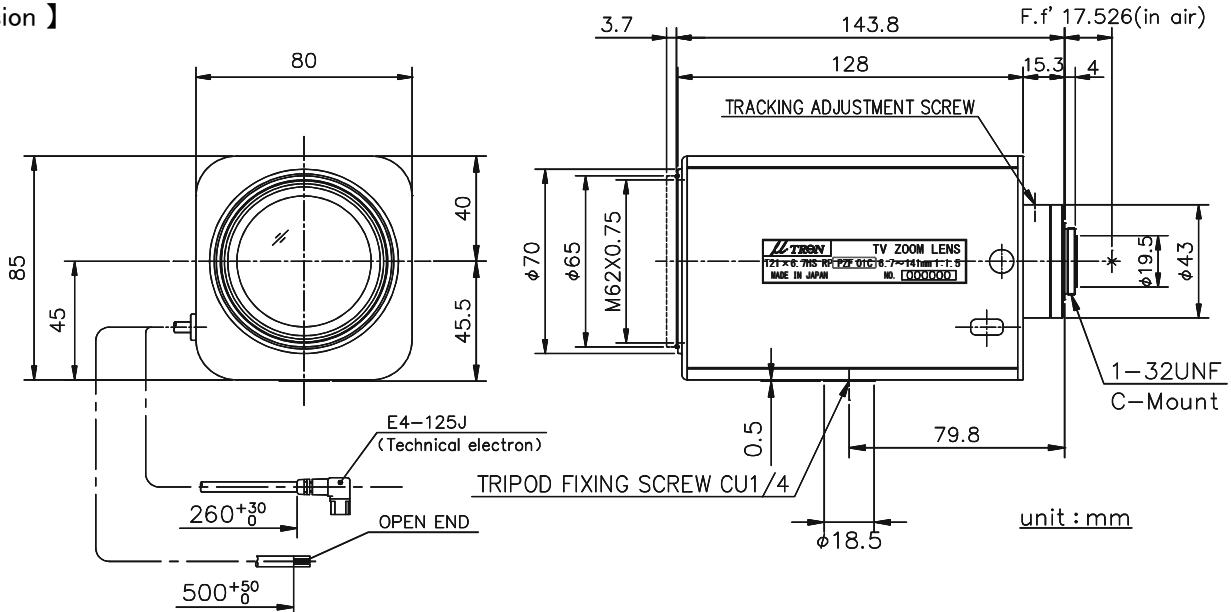
# T21x6.7HS RP PZF 01C

21x Zoom Lens for 1/2.7-inch 2Mega-Pixel Camera

## 【 Specifications 】

Image Format	1/2.7-inch (φ6.7mm)	Operation	Focus : Remote
Applicable Camera	for 1/2.7 & 1/2.8 , 1/3 , 1/4-Type 2Mega Pixel CCTV Camera	Zoom : Remote	Iris : P Iris ( 2-phase excitation bipolar stepping motor drive from camera )
Focal Length	6.7mm ~ 141mm	Operation Voltage	Focus : +12V DC
Max. Relative Aperture	1:1.5 ( 1:2.9 at 141mm)	Zoom : +12V DC	
Iris Range	F1.5 ~ Approx.F360	Current Consumption	Focus : 35mA (Max.)
Angle of View (H×V)	When 1/2.7-inch Camera use	Zoom : 35mA (Max.)	
	Wide End 48.5°× 27.2° (16:9)	Iris Control	Drive method : 2-phase
	Tele End 2.4°× 1.4° (16:9)		Drive sequence : Bi-polar
	When 1/3-inch Camera use		Rated voltage : DC4V±1V
	Wide End 43.3°× 24.4° (16:9) / 39.8°× 29.9° (4:3)		Resistance/phase : 33Ω
	Tele End 2.2°× 1.2° (16:9) / 2.0°× 1.5° (4:3)	Temperature Range	-10°C ~ +50°C
Min. Object Distance	1.8m ( From Front Lens )		( Without condensation )
Object Dimensions	When 1/2.7-inch Camera use	Back Focal Length	13.5mm ( in air )
at M.O.D. (HxV)	Wide End 153cm× 83cm (16:9)	Flange Back (F.f)	17.526mm ( in air )
	Tele End 7.3cm× 4.1cm (16:9)	Mount	C Mount
	When 1/3-inch Camera use		(Adjustable Lens Position)
	Wide End 135cm× 75cm (16:9) / 124cm× 92cm (4:3)	Filter Size	M62X0.75mm
	Tele End 6.5cm× 3.7cm (16:9) / 6.0cm× 4.3cm (4:3)	Weight	Approx. 800g

## 【 Dimension 】



## 【 Wiring Diagram 】

