

TAV850DCIR-MP

【SPECIFICATIONS】 F1.6 Aspherical + Day&Night IR Lens

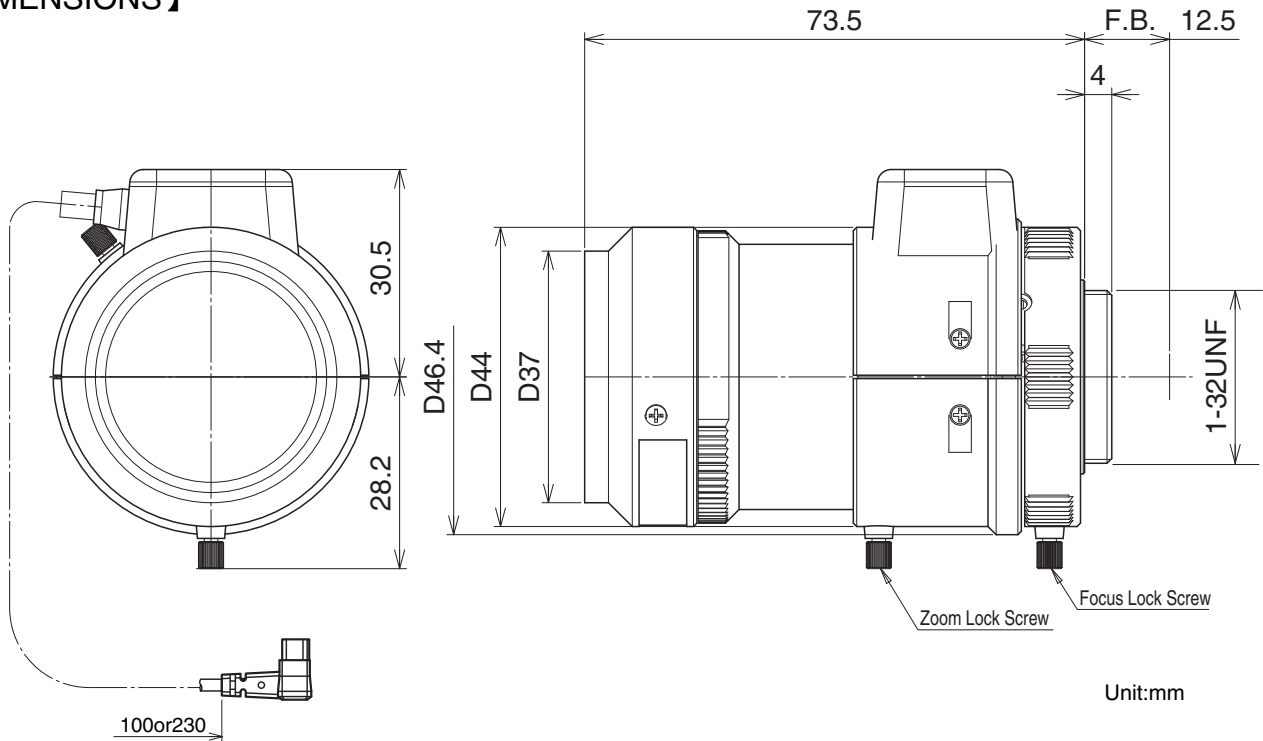
Image Size: $\text{\textcircled{1/2.7}}$ $\text{\textcircled{1/3}}$ $\text{\textcircled{1/4}}$

Focal Length :	8 - 50mm	Flange Back :	12.5mm
Maximum Relative Aperture :	1:1.6	Operation :	Focal : Manual Zoom : Manual Iris : IG (Auto Close System) Close Open : 3.0V以下 Open Close : 0.5V以上
Iris :	F1.6 - 360 (With ND Spot Filter)	Operation Temperature :	-10 to +50C
Zoom Ratio :	6.25x	Mount:	CS-Mount (Adjustable Lens Position)
Angular Field of View :	38.7 x 28.6 deg. at 8mm 6.4 x 4.8 deg. at 50mm	Size :	44 x 46.4 x 73.5mm,
Image Format :	5.4 x 4.0mm (6.7mm)	Weight :	約 100g
Minimum Object Distance :	0.3m at 8mm (From Front Vertex) 0.9m at 50mm (From Front Vertex)		
Optical Back Focal Distance :	More than 10.3mm (In Air)		

【COMPOSITION】

- Lens 1
- Lens Cap 1
- Dust Cap 1

【DIMENSIONS】



【CIRCUIT DIAGRAM】

