

## TM17Z7516HD GAIDCPN

f=7.5-127mm F/1.6 2.0Mega pixel

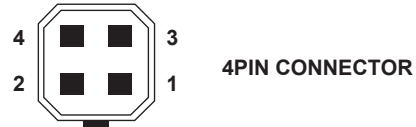
### ● SPECIFICATIONS

MODEL NUMBER	TM17Z7516HD GAIDCPN	
IMAGE FORMAT	1/2inch	
FOCAL LENGTH	7.5-127mm	
MAXIMUM APERTURE	F1:1.6	
APERTURE RANGE	F1.6-360	
M.O.D.	1.5m	
ANGLE OF VIEW (at 1/2inch)	WIDE	45.60° x 34.70°
	TELE	2.90° x 2.20°
FILTER SIZE	M58mm P=0.75	
DIMENSIONS	W80.0xH80.0xL132.0mm	
WEIGHT	580g	
OPERATING TEMPERATURE	-10°C -+50°C	
MOUNT	C-mount	
IRIS	DC-IRIS	
FOCUS		
	INPUT VOLTAGE	DC +6V to +12V
	CURRENT CONSUMPTION	60mA or Less
ZOOM		
	INPUT VOLTAGE	DC +6V to +12V
	CURRENT CONSUMPTION	60mA or Less

### ● CABLE CONNECTIONS

#### DC- IRIS

PIN NO.	CABLE COLOR	CONNECTION
1	GREEN	DAMPING COIL -
2	YELLOW	DAMPING COIL +
3	RED	DRIVING COIL +
4	BLACK	DRIVING COIL -



#### FOCUS

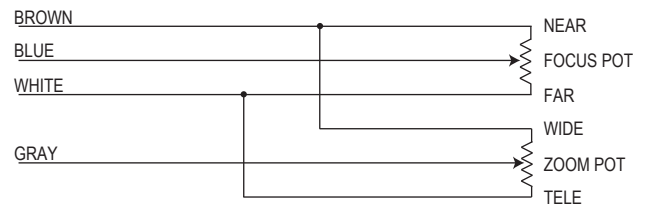
CABLE COLOR	POLARITY	DIRECTION
GREEN	+	Near
BLACK	-	
GREEN	-	Far
BLACK	+	

#### ZOOM

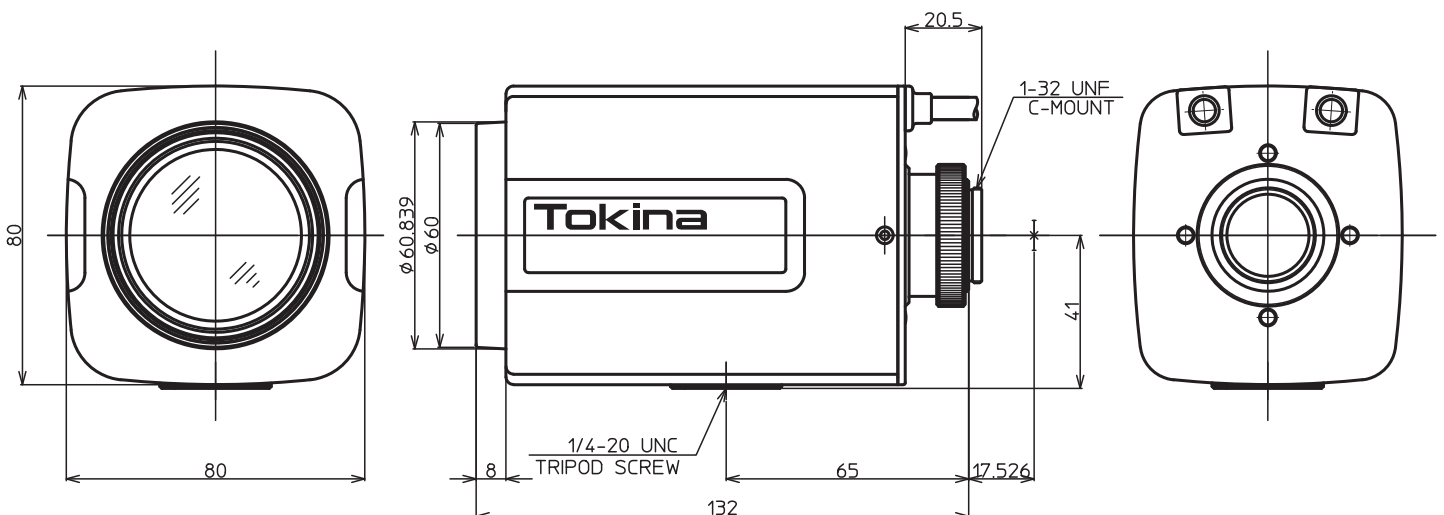
CABLE COLOR	POLARITY	DIRECTION
YELLOW	+	Tele
RED	-	
YELLOW	-	Wide
RED	+	

#### POTENTIOMETER

CABLE COLOR	CONNECTION
BROWN	POTENTIO METER SUPPLY +
BLUE	POTENTIO METER FOCUS WIPER
WHITE	POTENTIO METER SUPPLY -
GRAY	POTENTIO METER ZOOM WIPER



### ● DIMENSIONS



Design and Specifications are subject to change without notice.