

MOTORIZED ZOOM LENS

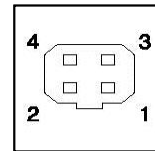
**TM50Z1046HDGAIDCPN-IR 1/1.8"f=10-500mm F/4.6DC IRIS W/PRESET ON FOCUS · ZOOM
 2MEGA PIXEL, IR corrected and DE-FOG**

■ SPECIFICATION

MODEL NUMBER		TM50Z1046HDGAIDCPN-IR	
	IRIS	AUTO IRIS (DC)	
	FOCUS	MORTORIZED · PRESET	
	ZOOM	MORTORIZED · PRESET	
FOCAL LENGTH		10-500mm	
IMAGE FORMAT		1/1.8"	
APERTURE RATIO		F4.6-360	
ANGLE OF VIEW		1/1.8"	1/2"
	DIAGONAL	W44.86°T1.06°	W40.29°T0.93°
	HORIZONTAL	W36.54°T0.83°	W32.71°T0.74°
	VERTICAL	W27.82°T0.63°	W24.82°T0.56°
M.O.D.		5m	
FILTER SIZE		M65.0mm P=0.75	
DIMENSIONS		W90.0 X H90.0 X L175.5	
WEIGHT		APPROX 1640g	
MOUNT		C	

■ AUTO IRIS (DC) 4-Pins Connector

PIN #	color	SIGNAL
1	RED	Damping Coil -
2	BLACK	Damping Coil +
3	WHITE	Driving Coil +
4	GREEN	Driving Coil -



JEITA E4-191J-100

■ FOCUS/ZOOM

	FOCUS	ZOOM
INPUT VOLTAGE	DC6V~DC12V	
CURRENT CONSUMPTION	30mA OR LESS	35mA OR LESS
MOTORIZATION SPEED(6V)	APPROX.8 SEC.	APPROX.6 SEC.

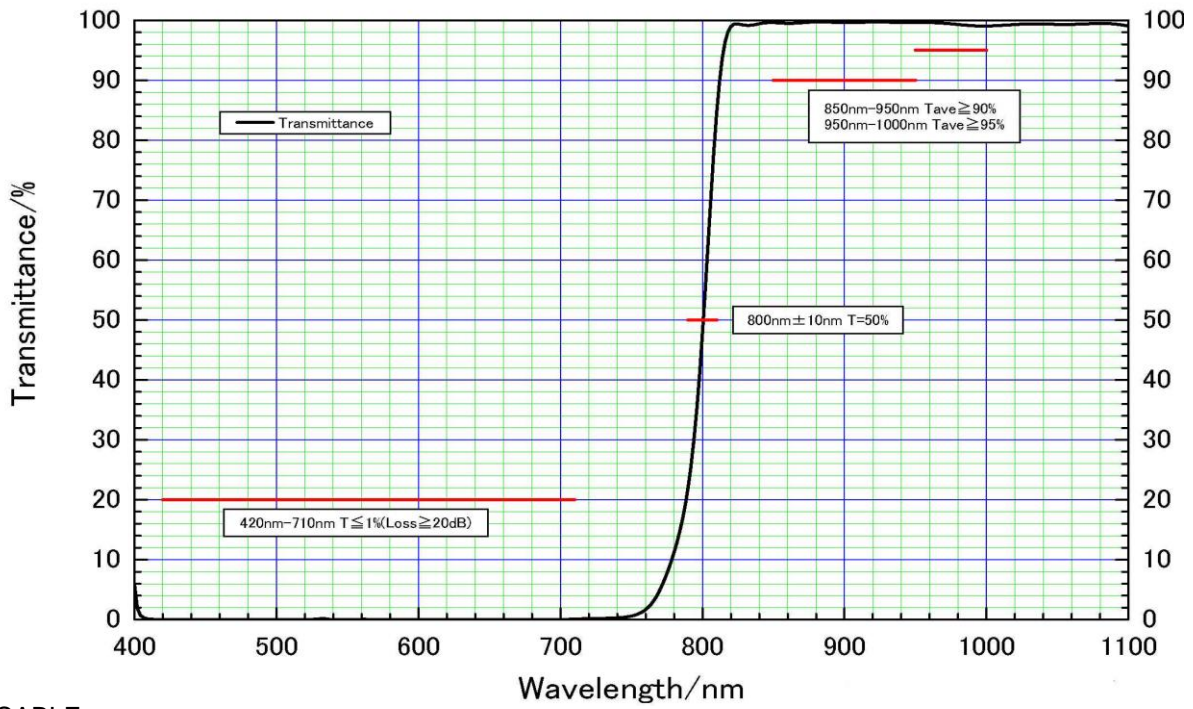
■ BUILT-IN IR-PASS(DE-FOG) FILTER

INPUT VOLTAGE	DC6V~DC12V
MOTORIZATION SPEED(12V)	APPROX0.5SEC.

The built-in IR-pass filter is driven by rotary solenoid.

If the current flows greater than 0.5 seconds, the rotary solenoid might be unavailable due to overheating.

■ SPECTRAL CHARACTERISTICS OF IR PASS FILTER



■ CABLE

○ FOCUS/ZOOM

FOCUS	COLOR	POLALITY	DIRECTION OF ROTATION
	BLACK	+	FAR
GREEN	-		
FOCUS	BLACK	-	NEAR
	GREEN	+	
ZOOM	COLOR	POLALITY	DIRECTION OF ROTATION
	RED	+	WIDE
	YELLOW	-	
	RED	-	TELE
YELLOW	+		

○ BUILT-IN IR-PASS(DE-FOG) FILTER

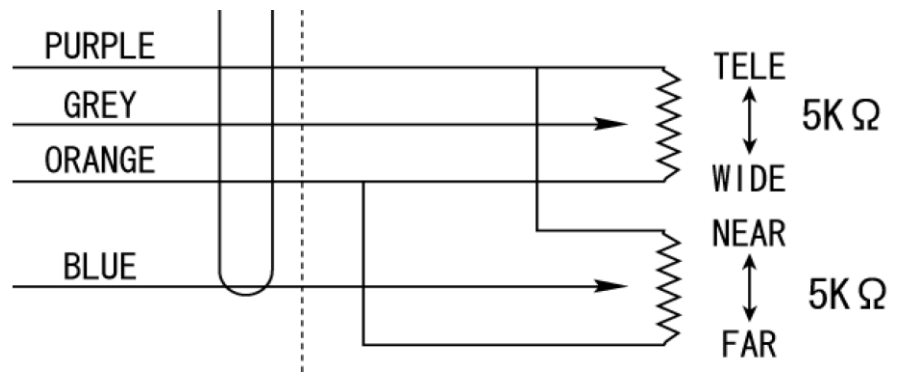
BUILT-IN IR-PASS	COLOR	POLALITY	DIRECTION OF ROTATION
	WHITE	+	FILTER IN
	BROWN	-	
	WHITE	-	FILTER OUT
BROWN	+		

○ PRESET※

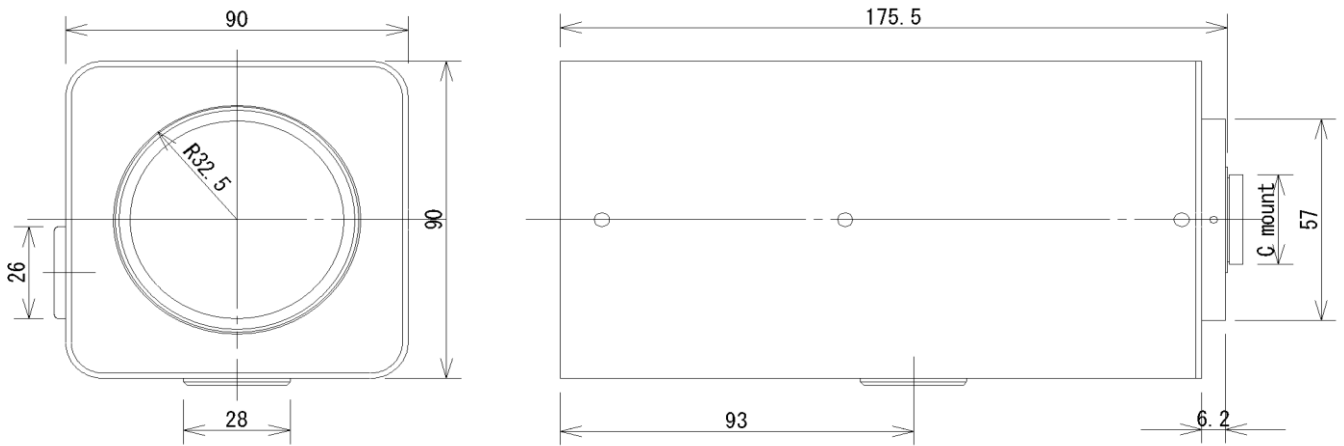
COLOR	WIRING	POTENTIO METER RESISTANCE 5KΩ (±5%) 1W
PURPLE	POTENTIO METER SUPPLY+	
GREY	POTENTIO METER ZOOM WIPER	
ORANGE	POTENTIO METER SUPPLY-	
BLUE	POTENTIO METER FOCUS WIPER	

※WIRING (PRESET)

POT SUPPLY
ZOOM WIPER
POT RETURN
FOCUS WIPER



■ DIMENTIONS



Design, specification and availability subject to change without notice