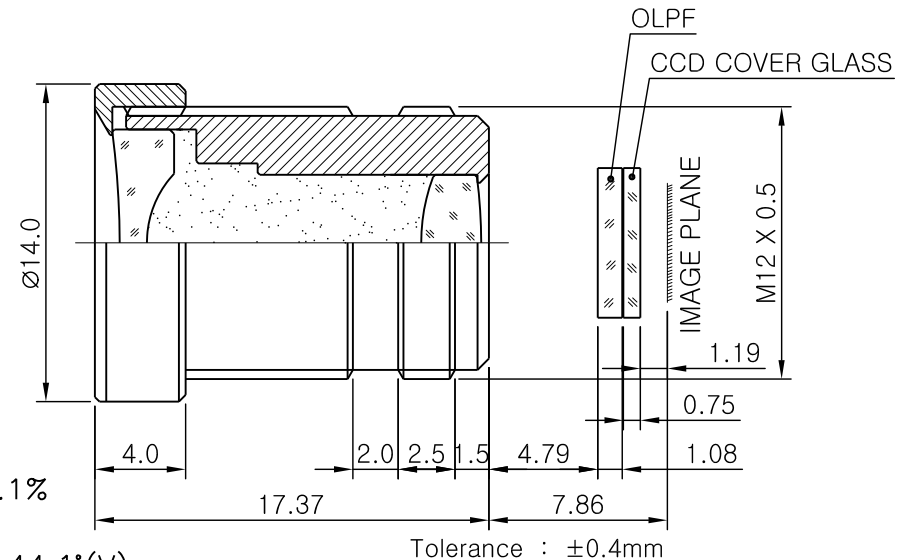


# SPECIFICATION

MODEL : VIR43618M-F2.5 (3MEGA)

1. Sensing Area : 1/2.7" CMOS (OV2715), 1/3" CCD, 1/4" CCD
2. Focal Length : 4.33mm
3. Back Focal Length : 7.55mm
4. Useful Wavelength Range : VIS & NIR (850nm±30nm)
5. F NO. : 2.5
6. Iris : Fixed
7. Optical Distortion : 1/2.7" -38.4%, 1/3" -30.8% , 1/4" -15.1%
8. Angle of View(Under Scan) : (1/2.7" CMOS) 102.3°(D), 84.4°(H), 44.1°(V)  
(1/3" CCD) 91.2°(D), 69.2°(H), 50.4°(V)  
(1/4" CCD) 63.6°(D), 49.8°(H), 36.8°(V)
9. Focus Extent : 40cm - ∞
10. Lens Construction : 5 Components 6 Elements
11. Weight : 5.5g



DAIWON OPTICAL CO., LTD.