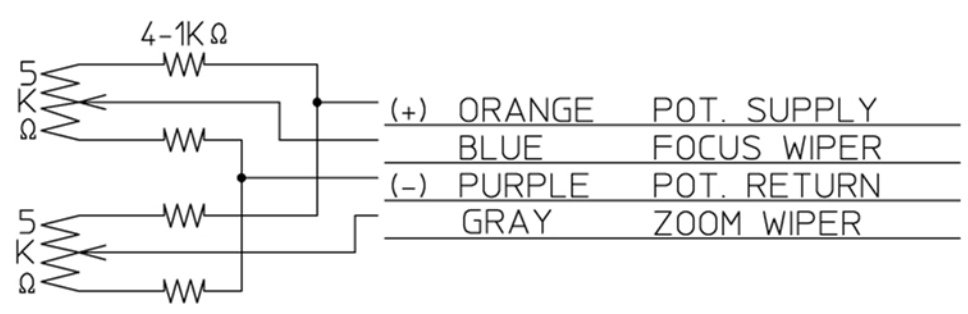
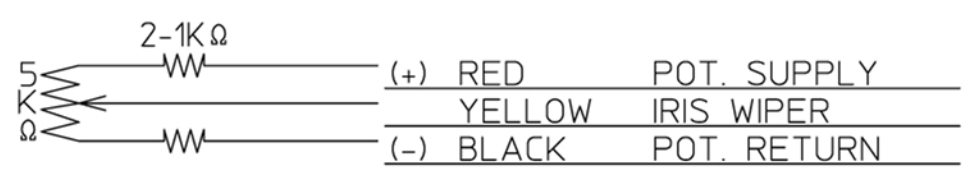
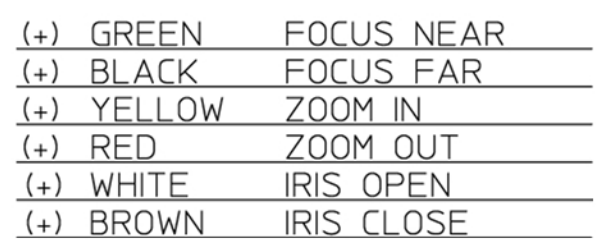


① POT. CABLE



② MOTOR CABLE



SPECIFICATION

1. USE	FOR 1/2" COLOR ,B/W CAMERA	
2. FOCAL LENGTH	f=8~120mm	
3. IRIS RANGE	F= 1.8 ~ 360	
4. IMAGE SIZE	φ 8 ( 6.4 x 4.8 )	
5. BACK FOCAL LENGTH	14.9	mm in air
6. FLANGE FOCAL LENGTH	17.526	mm in air
7. FOCUS RANGE	∞ ~ 1.5 m	
8. FIELD ANGLE	DIA.	(W) 52.9° (T) 3.8°
	HOL.	43.2° 3.1°
	VER.	32.8° 2.3°
9. DISTORTION (TV)	-0.7 %	1.1 %
10. LENS CONSTRUCTION	15 GROUPS	18 ELEMENTS
11. CLEAR APERTURE	FRONT φ 54	REAR φ 12.5
12. WEIGHT	Kg	



品名	1/2" 1.8/8-120mm
部番	LMZ0812M3P-IR