

## 22X SUPER-MOTORIZED AUTO FOCUS ZOOM LENS

**TM22Z1022GAIDCPN-iAF f = 10-220mm F2.2 AUTO FOCUS GALVANO DC IRIS, Preset**

### SPECIFICATION

MODEL NUMBER	TM22Z1022GAIDCPN-iAF(RS-232C)	
OPERATION	IRIS	DC IRIS (Galvano)
	FOCUS	MORTORIZED•PRESET
	ZOOM	MORTORIZED•PRESET
IMAGE FORMAT	1/2inch	
FOCAL LENGTH	10-220mm	
APERTURE RANGE	F2.2-360	
ANGLE OF VIEW	HORIZONTAL	34.12 - 1.74 (1/2")
	VERTICAL	25.90- 1.31 (1/2")
M.O.D.	1.8m	
FILTER SIZE	M67.0mm P=0.75	
DIMENSIONS	W80.0 X H121.0 X L158.7	
WEIGHT	1.25Kg	
OPERATING TEMPERATURE RANGE	-10°C - 45°C	
MOUNT	C	

### AUTO FOCUS

INPUT VOLTAGE	DC12 ± 0.5V TBR mA
INPUT SIGNAL	VBS OR CVBS SIGNAL (NTSC or PAL)
CURRENT CONSUMPTION	IN AF WORKING: 300mA OR LESS, IN AF NOT WORKING: 140mA OR LESS

### WIRING

<b>IRIS CABLE</b>	
GALVANO AUTO IRIS(VIDEO)	
INPUT VOLTAGE	DC+8-16V
CURRENT CONSUMPTION	30mA OR LESS
INPUT SIGNAL	VS OR V SIGNAL
IRIS ACCURACY	±15% AT VIDEO SIGNAL LEVEL
SENSITIVITY	0.5-1.0Vp-p
RESPONSE SPEED	APPROX.4 SEC.
<b>DIRVE CABLE</b>	
RS-232C 9PIN• D-sub Wiring arrangement	
PIN 2	RxD (Receive)
PIN 3	TxD (Transmit)
PIN 5	GND
●RS-232C Cable connector :E9-403N-150/Technical Electronics(D-sub 9pin #4-40 Male)	
<b>AUTO FOCUS POWER CABLE</b>	
CABLE COLOR	CONNECTION
RED*	POWER(DC12±0.5V)
BLACK*	GENERAL GROUND
*THIS TWO CABLES ARE CONNECTED ON 2PIN CONNECTOR: HIROSE HR-10A-7R-4P	

## Control Specification

Focus control      Speed: Designated 5steps variable  
 Trigger operation / go on focusing at designated speed for designated direction.  
 Position operation / Focus at designated speed and stop at designated position.  
 Stop focusing  
 Auto Focus / Start, Stop, Designation mode (TEMPORARY AUTO FOCUS / CONSTANT AUTO FOCUS)

Zoom control      Speed: Designated 5steps variable  
 Trigger operation / go on focusing at designated speed for designated direction.  
 Position operation / Focus at designated speed and stop at designated position.  
 Stop focusing

Extender control      Speed: Designated 5steps variable  
 Trigger operation / go on focusing at designated speed for designated direction.  
 Stop focusing

RS-232C Control      connector      :E9-403N-150 / Technical Electronics (D-sub 9pin #4-40 Male)  
 Female is not packed together.

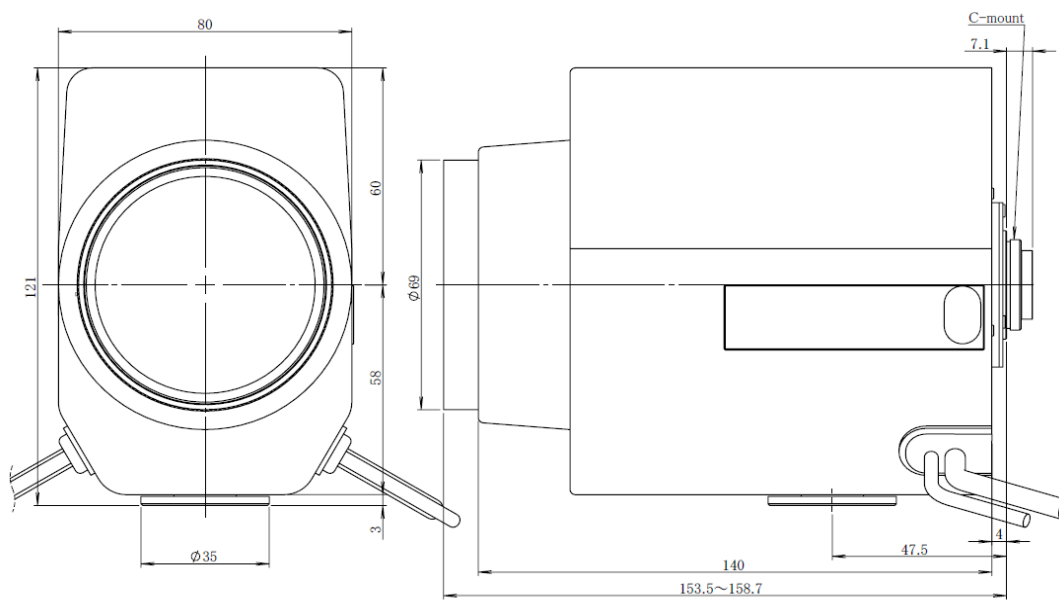
RS-232C 9PIN · D-sub Wiring arrangement

PIN 2	RxD (Receive)
PIN 3	TxD (Transport)
PIN 5	GND

#Use RS-232C cross cable when connecting with PC.

#Refer the specification of RS-232C control in the following page.

## APPEARANCE



2011.06 Kenko Tokina

DESIGN AND SPECIFICATIONS ARE SUBJECT TO CHANGE WITHOUT NOTICE