

TM55Z1038NPN3X2 f=10-550mm F3.8 3-Motor FOCUS·ZOOM·IRIS W/Preset, 2x extender

SPECIFICATION

MODEL NUMBER		TM55Z1038NPN3X2	
Internal 2x extender		Not working	Working
IMAGE FORMAT		1/2inch (1/3inch)	
FOCAL LENGTH		10-550mm	20-1100mm
MAXIMUM APERTURE		F1:3.8-6.1	F1:7.6-12.2
APERTURE RATIO		F1:3.8-360	F1:7.6-720
M.O.D.		5.0m	
ANGLE OF VIEW 1/2inch	DIMENSION	W42.66°T0.86°	W21.99°T0.43°
	HORIZONTAL	W34.57°T0.69°	W17.67°T0.34°
	VERTICAL	W26.33°T0.52°	W13.30°T0.26°
ANGLE OF VIEW 1/3inch	DIMENSION	W32.63°T0.64°	W16.58°T0.32°
	HORIZONTAL	W26.33°T0.52°	W13.30°T0.26°
	VERTICAL	W19.83°T0.39°	W9.99°T0.19°
FILTER SIZE		M95.0mm	P=1.0
DIMENSIONS		W132.0xH120.5xL298.5mm	
WEIGHT		4.07kg	
OPERATING TEMPERATURE RANGE		-10°C - 50°C	
OPERATING HUMIDITY RANGE		RH 90% at 40°C	
MOUNT		C	

IRIS

INPUT VOLTAGE	DC+6-12V
CURRENT CONSUMPTION	30mA OR LESS
INPUT SIGNAL	VS OR V SIGNAL
MOTORIZATION SPEED	APPROX.6 SECONDS (6V)

FOCUS

INPUT VOLTAGE	DC+6-12V
CURRENT CONSUMPTION	40mA OR LESS
MOTORIZATION SPEED	APPROX. 13 SECONDS (6V)

ZOOM

INPUT VOLTAGE	DC+6-12V
CURRENT CONSUMPTION	50mA OR LESS
MOTORIZATION SPEED	APPROX. 8 SECONDS (6V)

2X EXTENDER

INPUT VOLTAGE	DC+6-12V
CURRENT CONSUMPTION	40mA OR LESS
MOTORIZATION SPEED	APPROX. 3 SECONDS (6V)

DRIVING CABLE

CABLE COLOR				
RED	+	FOCUS NEAR	-	FOCUS FAR
BLACK	-		+	
WHITE	+	ZOOM TELE	-	ZOOM WIDE
GREEN	-		+	
YELLOW	+	IRIS OPEN	-	IRIS CLOSE
BLAWN	-		+	

2X EXTENDER CABLE

WHITE/RED stripe	+	EXT IN	-	EXT OUT
LIGHT GREEN	-		+	

Detail of preset wiring is referred on next page.

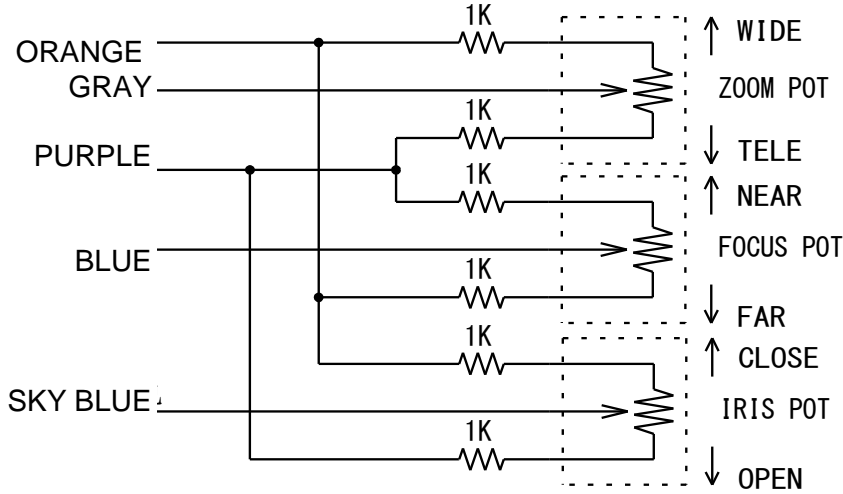
DESIGN AND SPECIFICATIONS ARE SUBJECT TO CHANGE WITHOUT NOTICE

TM55Z1038NPN3X2 f=10-550mm F3.8 3-Motor FOCUS·ZOOM·IRIS W/Preset, 2x extender

POTENTIO METER-PRESET

CABLE COLOR	CONNECTION	POTENTIO RESISTANCE
ORANGE	POT.SUPPLY	Zoom/Focus
PURPLE	POT.RETURN	5K Ω (\pm 5%)1W
BLUE	FOCUS POT.WIPER	IRIS
GRAY	ZOOM POT.WIPER	
SKY BLUE	IRIS POT.WIPER	

Detail of preset wiring on focus / zoom / Iris preset cable



APPEARANCE

