

H V 0 9 1 7 M P D N D

【Application】

Vari Focal Lens for 1/2, 1/3, 1/4 CCD Camera (For Mega pixel and DAY&NIGHT)

【Specification】

Application: 1/2, 1/3, 1/4
CCD Camera (DAY&NIGHT)

Focal Length: 9mm~90mm

Aperture: 1: 1.7 (9mm)
1: 2.4 (90mm)

Iris: F1.7 ~ Approx.F360
(Built in ND Filter and auto close system)

Angle of View (H x V): 39.1°X30.2° at 9mm
(When 1/2 CCD is used): 4.07°X3.06° at 90mm

Max. image Format: 6.4mmX4.8mm (ø8mm)

Min. Object Distance: 1m (From front vertex)

Field of View at M.O.D: 69.4cmX50.9cm at 9mm
(When 1/2 CCD is used): 6.9cmX5.2cm at 90mm

Wavelength: Visible ray~1000nm

Back FOCUS: 15.04mm (IN AIR)

Flange Back: 17.526mm

Operation Voltage: CLOSE→OPEN : Less Than 4V
OPEN→CLOSE : More Than 0.5V

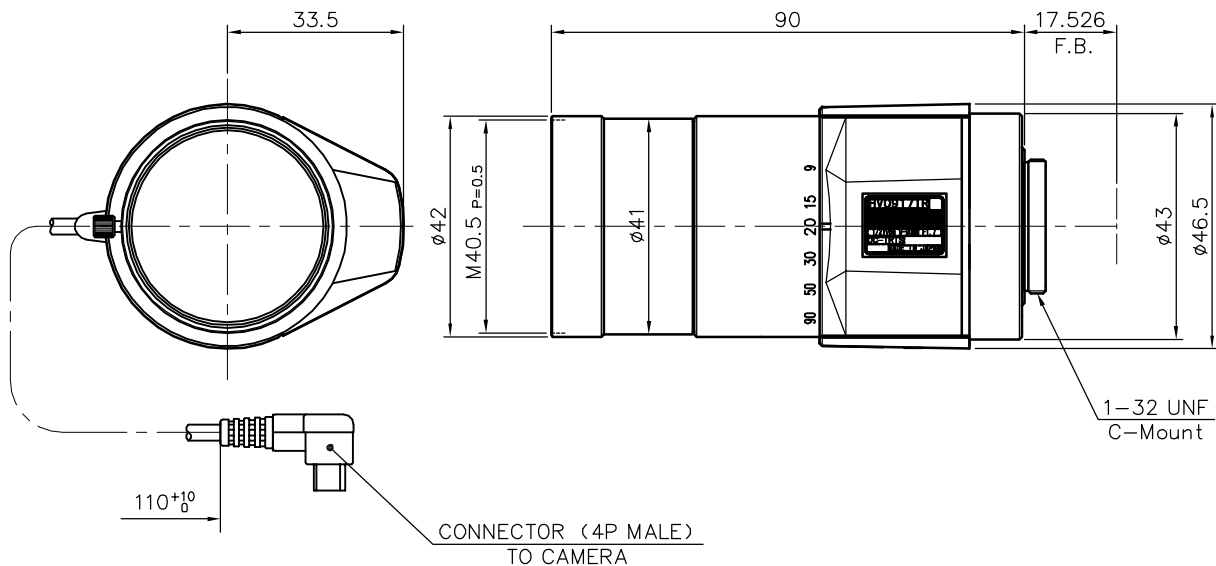
Operation: Focus: Manual
Zoom: Manual
Iris: Auto Iris (DC Iris)

Temperature Range: -10°C~+50°C

Mount: C Mount (Adjustable lens position)

Weight: Approx.205g

【Dimension】



Unit: mm

【Circuit Diagram】

