

J V 1 2 1 6 M P H D

【Application】

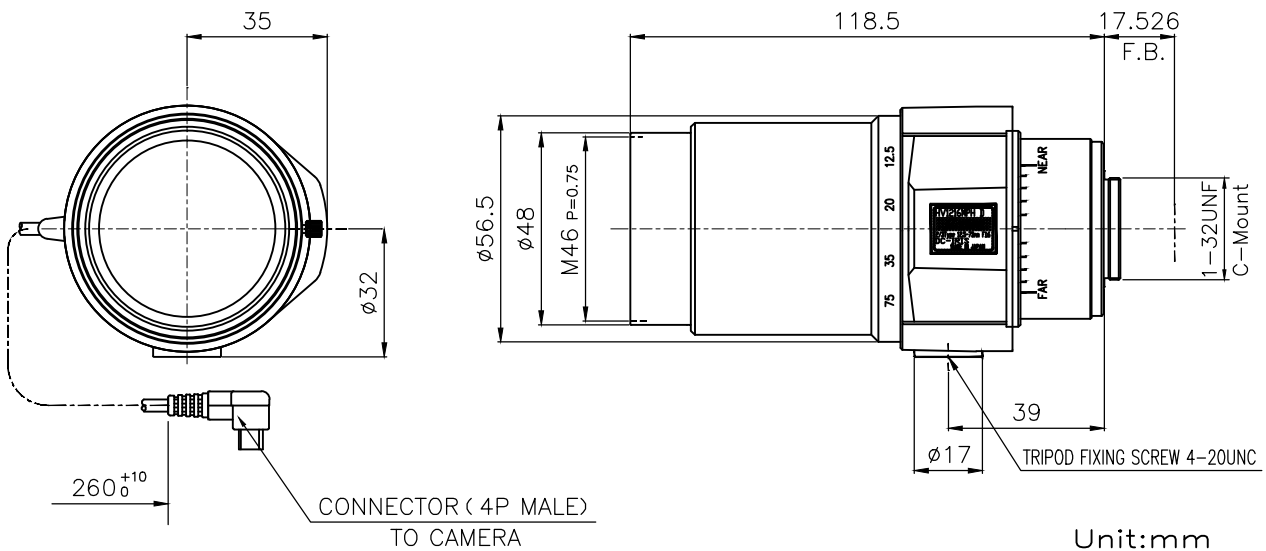
Vari Focal Lens for 2/3, 1/2, 1/3 Full HD (3 Mega) CCTV Camera

【仕様】

Application: 2/3, 1/2, 1/3 Full HD (3 Mega) CCTV Camera
 Focal Length: 12.5mm~75mm
 Aperture: 1:1.6 (12.5mm)
 1:1.8 (75mm)
 Iris: F1.6~Approx.F360 (Built in ND Filter and auto close system)
 Angle of View (H x V): 39.0°×30.0° at 12.5mm
 (When 2/3 CCD is used): 6.7°×5.0° at 75mm
 Max. image Format: 8.8mm×6.6mm (φ11mm)
 Min. Object Distance: 1m (From front vertex)
 Field of View at M.O.D: 53.1cm×71.0cm at 12.5mm
 (When 2/3 CCD is used): 10.4cm×14.0cm at 75mm

Back Focus: 25.6mm (IN AIR)
 Flange Back: 17.526mm
 Operation Voltage: CLOSE→OPEN: Less than 4V
 OPEN→CLOSE: More than 0.5V
 Operation: Focus: Manual
 Zoom: Manual
 Iris: Auto Iris (DC Iris)
 Temperature Range: -10°C~+50°C
 Mount: C Mount (Adjustable lens position)
 Weight: Approx.335g

【Dimension】



【Circuit Diagram】

