

J V 1 2 1 6 M P H

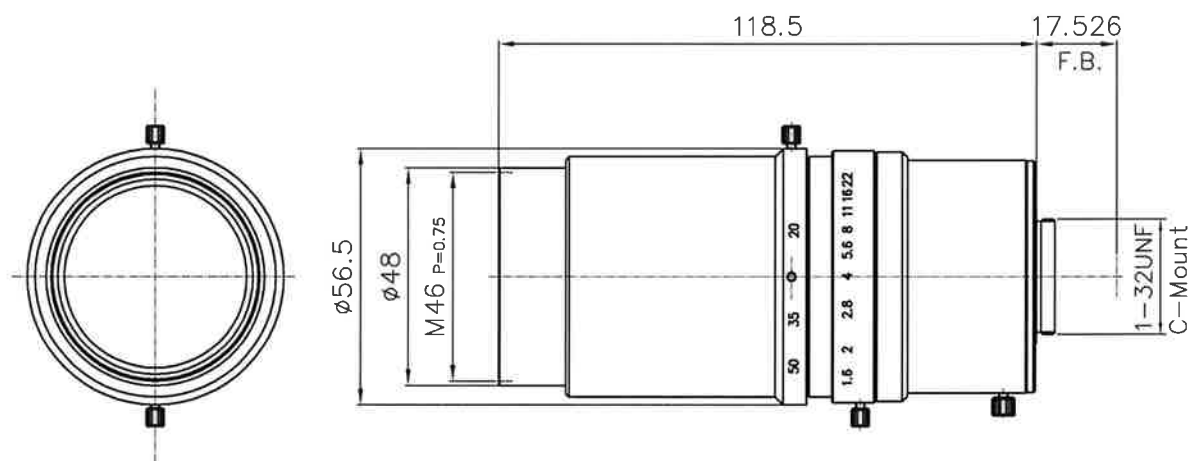
【Application】

Vari Focal Lens for 2/3, 1/2, 1/3 Full HD (3 Mega) CCD Camera

【Specification】

Application: 2/3, 1/2, 1/3 Full HD (3 Mega) CCD Camera Focal Length: 12.5mm~75mm Aperture: 1:1.6 (12.5mm) 1:1.8 (75mm) Iris: F1.6 ~ F16 Angle of View (H x V): 39.0°X30.0° at 12.5mm (When 2/3 CCD is used): 6.7°X5.0° at 75mm Max. image Format: 8.8mmX6.6mm (ø11mm) Min. Object Distance: 1m (From front vertex) Field of View at M.O.D: 53.1cmX71.0cm at 12.5mm (When 2/3 CCD is used): 10.4cmX14.0cm at 75mm	Back Focus: 25.6mm (IN AIR) Flange Back: 17.526mm Operation: Focus: Manual Zoom: Manual Iris: Manual Temperature Range: -10°C~+50°C Mount: C Mount (Adjustable lens position) Weight: Approx. 315 g
---	--

【Dimension】



Unit: mm

Specifications and dimenions are subject to change.