

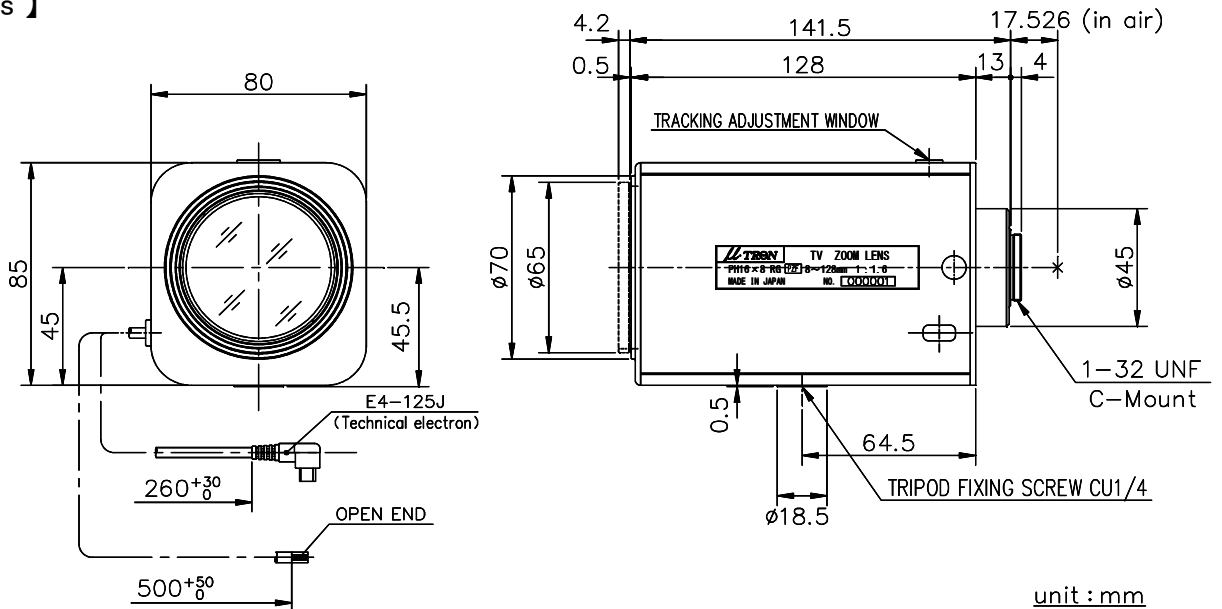
PH16x8 RG PZF 01C

16x Zoom Lens for 1/2-inch Camera

【 Specifications 】

Image Format	1/2-inch (φ8mm)	Operation Voltage	Focus : +12V DC Zoom : +12V DC
Applicable Camera	for 1/2-Type CCTV Camera	Current Consumption	Focus : 35mA (Max.) Zoom : 35mA (Max.)
Focal Length	8mm ~ 128mm	Iris Operation Voltage	Close ⇒ Open : 4V (Max. 6V) Open ⇒ Close : Max. 0.3V
Max. Relative Aperture	1:1.6 (1:2.4 at 128mm)	Temperature Range	-10°C ~ +50°C (Without condensation)
Iris Range	F1.6 ~ Approx.F360	Back Focal Length	15.1mm (in air)
Angle of View (H×V)	Wide End 44.7°×33.4° Tele End 2.9°× 2.2°	Flange Back (F.f)	17.526mm (in air)
Min. Object Distance	1.5m (From Front Lens)	Mount	C Mount (Adjustable Lens Position)
Object Dimensions	Wide End 111cm×83.2cm at M.O.D. (H×V) Tele End 7.3cm×5.5cm	Filter Size	M62X0.75mm
Operation	Focus : Remote Zoom : Remote Iris : DC Auto Iris	Weight	Approx. 760g

【 Dimensions 】



【 Wiring Diagram 】

