

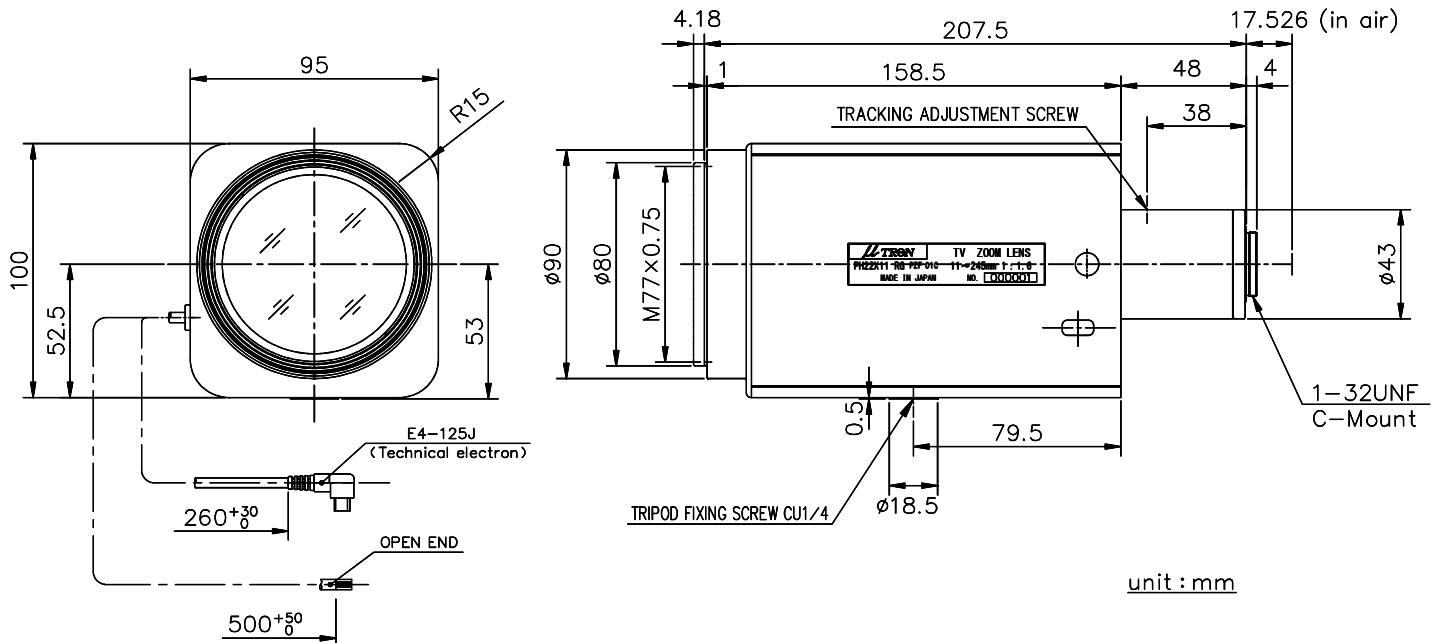
PH22x11 RG PZF 01C

22x Zoom Lens for 1/2-inch CCTV Camera

【 Specifications 】

Image Format	1/2-inch (φ8mm)	Operation Voltage	Focus : +12V DC Zoom : +12V DC
Applicable Camera	for 1/2-Type CCTV Camera	Current Consumption	Focus : 35mA (Max.) Zoom : 35mA (Max.)
Focal Length	11mm ~ 245mm	Iris Operation Voltage	Close ⇒ Open : 4V (Max. 6V) Open ⇒ Close : Max. 0.3V
Max. Relative Aperture	1:1.6 (1:3.3 at 245mm)	Temperature Range	-10°C ~ +50°C (Without condensation)
Iris Range	F1.6 ~ Approx.F560	Back Focal Length	31.3mm (in air)
Angle of View (H×V)	Wide End 31.5°× 23.9° Tele End 1.6°× 1.2°	Flange Back (F.f)	17.526mm (in air)
Min. Object Distance	2.5m (From Front Lens)	Mount	C Mount (Adjustable Lens Position)
Object Dimensions	Wide End 135.6cm× 101.7cm at M.O.D. (H×V) Tele End 6.6cm× 4.9cm	Filter Size	M77X0.75mm
Operation	Focus : Remote Zoom : Remote Iris : DC Auto Iris	Weight	Approx. 1.3kg

【 Dimensions 】



【 Wiring Diagram 】

