

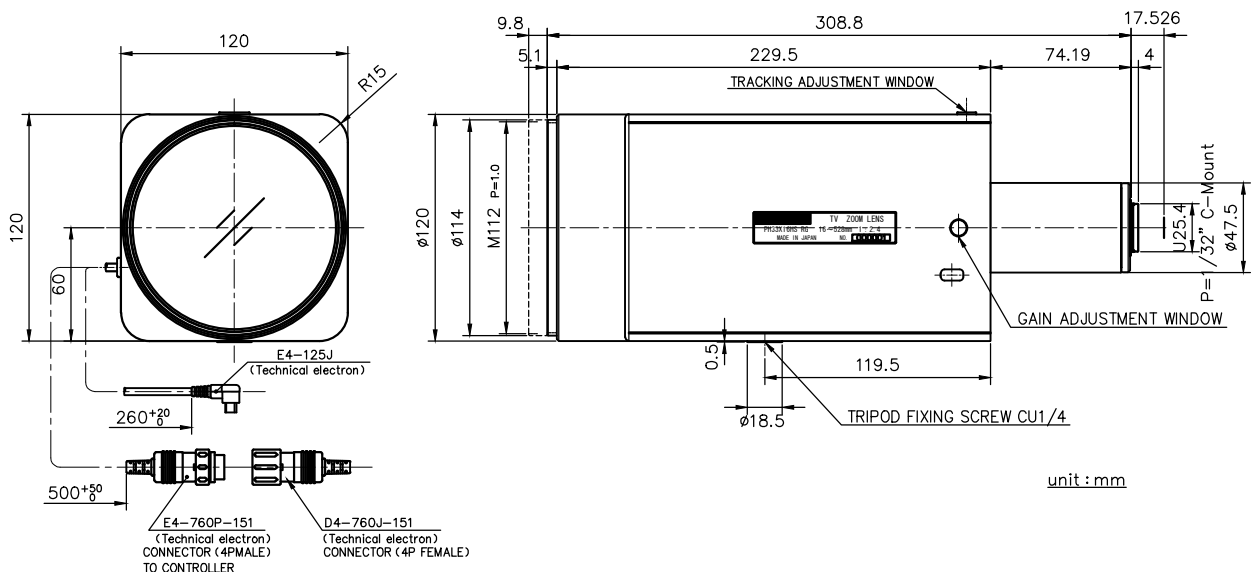
PH33X16HS RG

16mm~528mm 1:2.4

【SPECIFICATIONS】

| | | | |
|-----------------------------|--|---|------------------------------------|
| IMAGE FORMAT | 6.4mm×4.8mm (ø8mm) | INPUT VOLTAGE | ZOOM : DC±12V (35mA) |
| APPLICABLE CAMERA | 1/2,1/3,1/4-Type CCTV cameras | (MAXIMUM CURRENT) FOCUS : DC±12V (35mA) | |
| FOCAL LENGTH | 16mm~528mm | IRIS OPERATION VOLTAGE | CLOSE → OPEN: Less than 4V |
| ZOOM RATIO | 33x | | OPEN → CLOSE: More than 0.5V |
| MAXIMUM RELATIVE IRIS | 1:2.4 | BACK FOCAL LENGTH | 18.836mm (IN AIR) |
| | F2.4~APPROX.560 (LIGHT ADJUST TO COMBINE OF THE BUILT IN A ATTENUATOR AND THE IRIS.) | FLANGE BACK FOCAL LENGTH | 17.526mm (IN AIR) |
| ANGULAR FIELD OF VIEW (HXV) | 22.0°×16.6° at 16mm | OPERATION TEMPERATURE | -10°C~+50°C |
| (1/2-Type cameras) | 0.7°×0.5° at 528mm | MOUNT | C-MOUNT (ADJUSTABLE LENS POSITION) |
| MINIMUM OBJECT DISTANCE | 3.0m (FROM FRONT VERTEX) | FILTER SIZE | 112mm P1.0 |
| OBJECT DIMENSIONS AT M.O.D. | 110.0cm×82.5cm at 16mm | SIZE/WEIGHT | 120mm×120mm×308.8mm |
| (1/2-Type cameras) | 3.5cm×2.6cm at 528mm | | APPROX.2800g |
| OPERATION | ZOOM/FOCUS: MOTORIZED BY CONTROLLER | | |
| | IRIS: DC AUTO IRIS | | |
| OPERATING SPEED | ZOOM : APPROX 10sec | | |
| | FOCUS : APPROX 10sec | | |
| | IRIS : APPROX 2.5sec | | |

【DIMENSIONS】



【CIRCUIT DIAGRAM】

