

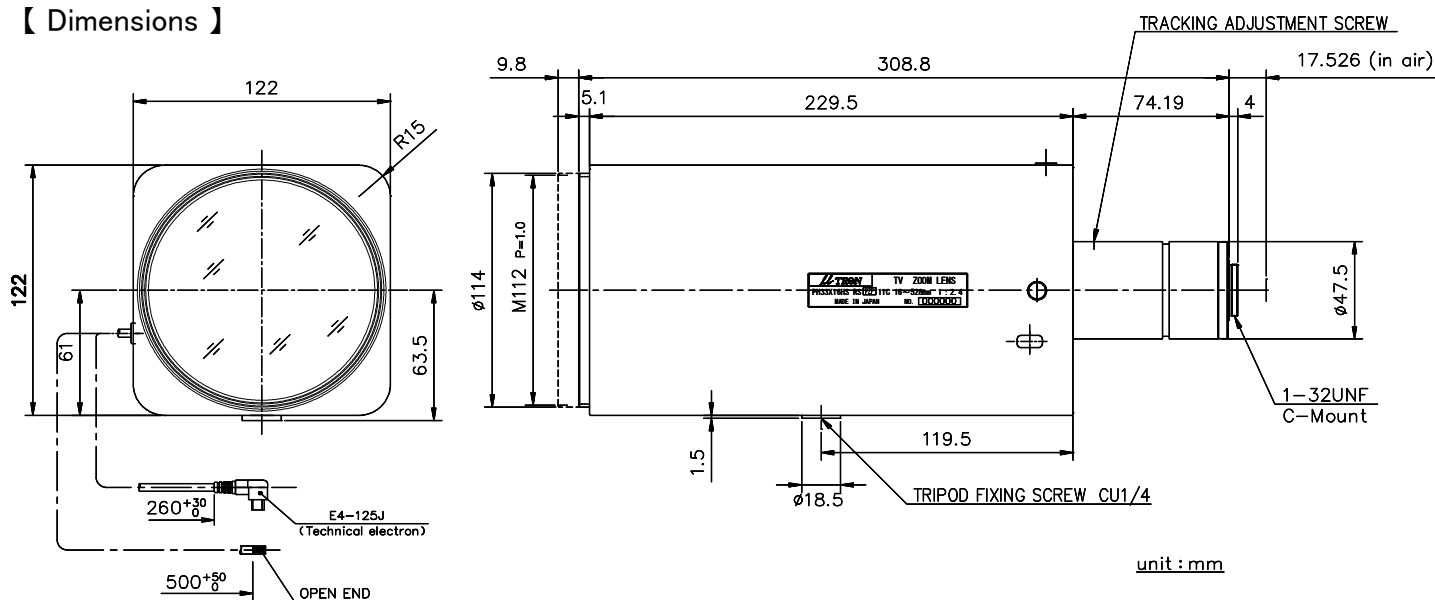
# PH33x16HS RG PZF 01C

33x Zoom Lens for 1/2-inch 2Mega-Pixel Camera

## 【 Specifications 】

Image Format	1/2-inch (φ8mm)	Operation Voltage	Focus : +12V DC Zoom : +12V DC
Applicable Camera	for 1/2-Type 2Mega Pixel CCTV Camera	Current Consumption	Focus : 35mA (Max.) Zoom : 35mA (Max.)
Focal Length	16mm ~ 528mm	Iris Operation Voltage	Close ⇒ Open : 4V (Max. 6V) Open ⇒ Close : Max. 0.3V
Max. Relative Aperture	1:2.4 (1:4.7 at 528mm)	Temperature Range	-10°C ~ +50°C ( Without condensation )
Iris Range	F2.4 ~ Approx.F560	Back Focal Length	18.8mm ( in air )
Angle of View (H×V)	Wide End 22.0°× 16.6° Tele End 0.7°× 0.5°	Flange Back (F.f)	17.526mm ( in air )
Min. Object Distance	3.0m ( From Front Lens )	Mount	C Mount (Adjustable Lens Position)
Object Dimensions	Wide End 110cm× 82.5cm at M.O.D. (H×V) Tele End 3.5cm× 2.6cm	Filter Size	M112X1.0mm
Operation	Focus : Remote Zoom : Remote Iris : DC Auto Iris	Weight	Approx. 2.8kg

## 【 Dimensions 】



## 【 Wiring Diagram 】

