

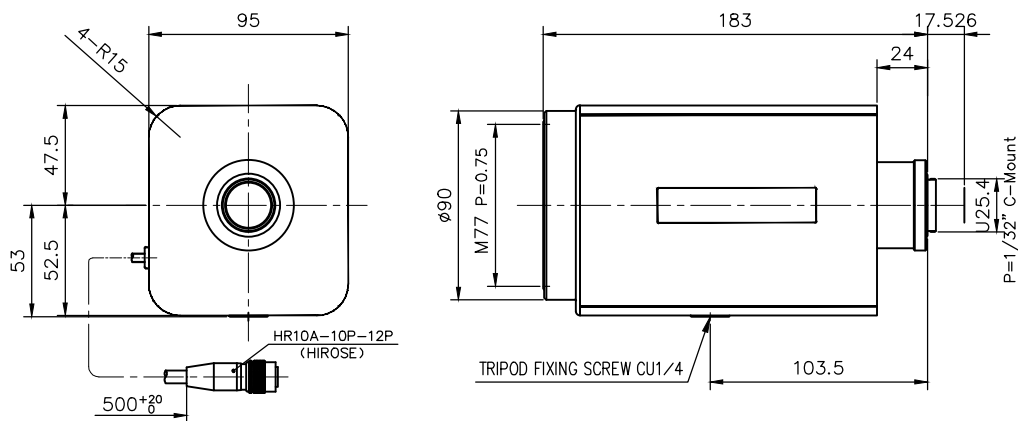
V10X16HS R PZF 09A

16mm~160mm 1:2.2

【SPECIFICATIONS】

IMAGE FORMAT	12.8mm×10.24mm (φ16.4mm)	INPUT VOLTAGE	ZOOM: DC±6V (35mA)
APPLICABLE CAMERA	1-Type CCTV 2 Mega Pixel cameras	(MAXIMUM CURRENT)	FOCUS: DC±6V (35mA)
FOCAL LENGTH	16mm~160mm		IRIS: DC±6V (35mA)
ZOOM RATIO	10×	BACK FOCAL LENGTH	21.31mm (IN AIR)
MAXIMUM RELATIVE IRIS	1:2.2	FLANGE BACK FOCAL LENGTH	17.526mm (IN AIR)
	F2.2~CLOSE	OPERATION TEMPERATURE	-10°C~+50°C
ANGULAR FIELD OF VIEW (HXV)	43.1°×34.8° at 16mm	MOUNT	C-MOUNT (ADJUSTABLE LENS POSITION)
(1-Type cameras)	4.6°×3.7° at 160mm	FILTER SIZE	77mm P0.75
MINIMUM OBJECT DISTANCE	1.8m (from front vertex)	SIZE/WEIGHT	100mm×95mm×183mm
OBJECT DIMENSIONS AT M.O.D.	80.8cm×64.6cm at 16mm		APPROX.1220 g
(1-Type cameras)	8.3cm×6.6cm at 160mm		
OPERATION	ZOOM/FOCUS/IRIS: MOTORIZED BY CONTROLLER		
OPERATING SPEED	ZOOM: APPROX Less than 10sec		
	FOCUS: APPROX Less than 10sec		
	IRIS: APPROX Less than 10sec		
POTENTIOMETER	ZOOM/FOCUS/IRIS: EQUIPPED WITH 5KΩ POTENTIOMETER		

【DIMENSIONS】



【CIRCUIT DIAGRAM】

