

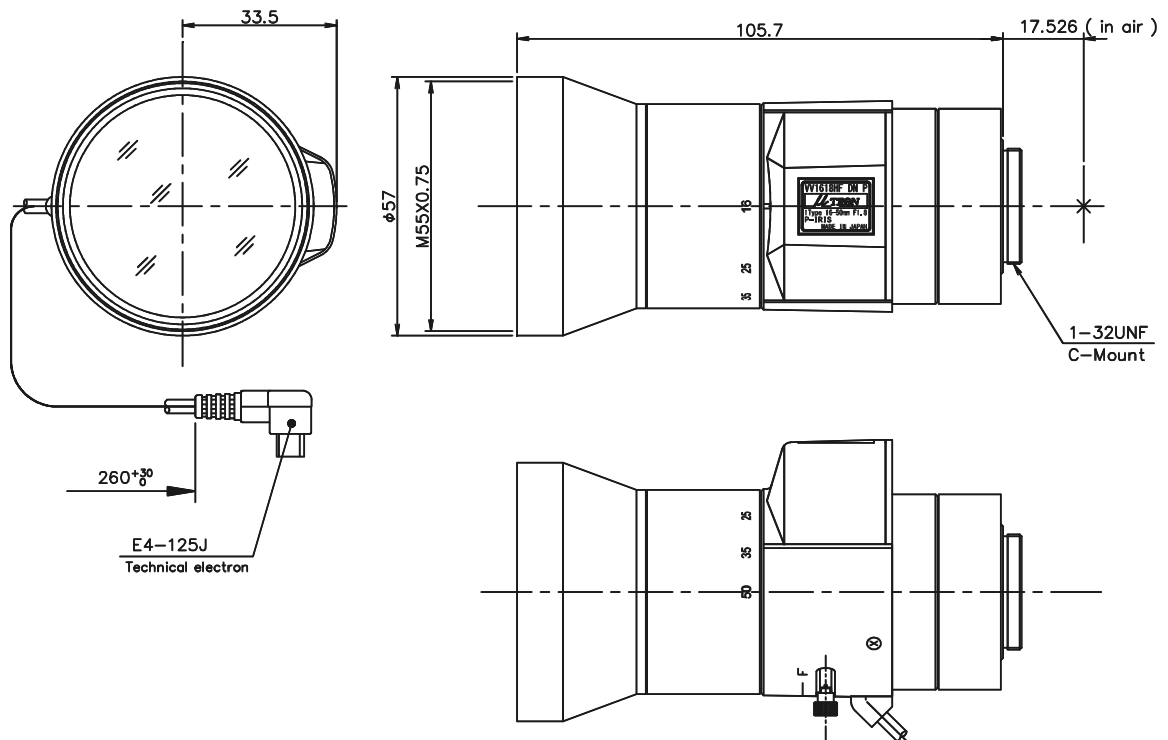
VV1618HF DN P

Vari-focal Lens for 1-Type 8Mega-Pixel Day & Night CCTV Camera

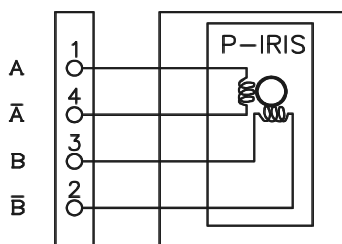
【 Specifications 】

Image Format	1-inch (φ16mm)	Operation	Focus : Manual
Applicable Camera	for 1 & 2/3 , 1/1.8 , 1/2-Type 8Mega Pixel Day&Night CCTV Camera		Zoom : Manual
			Iris : P-Iris
Focal Length	16mm ~ 50mm	Iris Drive Motor	Stepping Motor (Bi-Polar Type)
Max. Relative Aperture	1:1.8 (1:1.9 at 50mm)		Rated voltage : DC4V±1V
Iris Range	F1.8 ~ Approx.F360		Phase Resistance : 48Ω
Angle of View (H×V)	Wide End 44.4°× 33.4° Tele End 14.9°× 11.3°	Temperature Range (Operation)	-10°C ~ +50°C (Without Condensation)
Min. Object Distance	2m (From Front Lens)	Back Focal Length	18.0mm (in air)
Object Dimensions at M.O.D. (H×V)	Wide End 166.5cm × 122.1cm Tele End 54.9cm × 40.9cm	Flange Back (F.f)	17.526mm (in air)
		Mount	C Mount (Adjustable Lens Position)
		Filter Size	M43×0.75mm
		Weight	Approx. 310g

【 Dimension 】



【 Wiring Diagram 】



PIN	STEP PHASE	Close →		← Open	
		1	2	3	4
1	A	H	L	L	H
4	\bar{A}	L	H	H	L
3	B	H	H	L	L
2	\bar{B}	L	L	H	H