

MC-S369Q

High Sensitivity x36 Zoom Module

LVDS EX-SDI CVBS

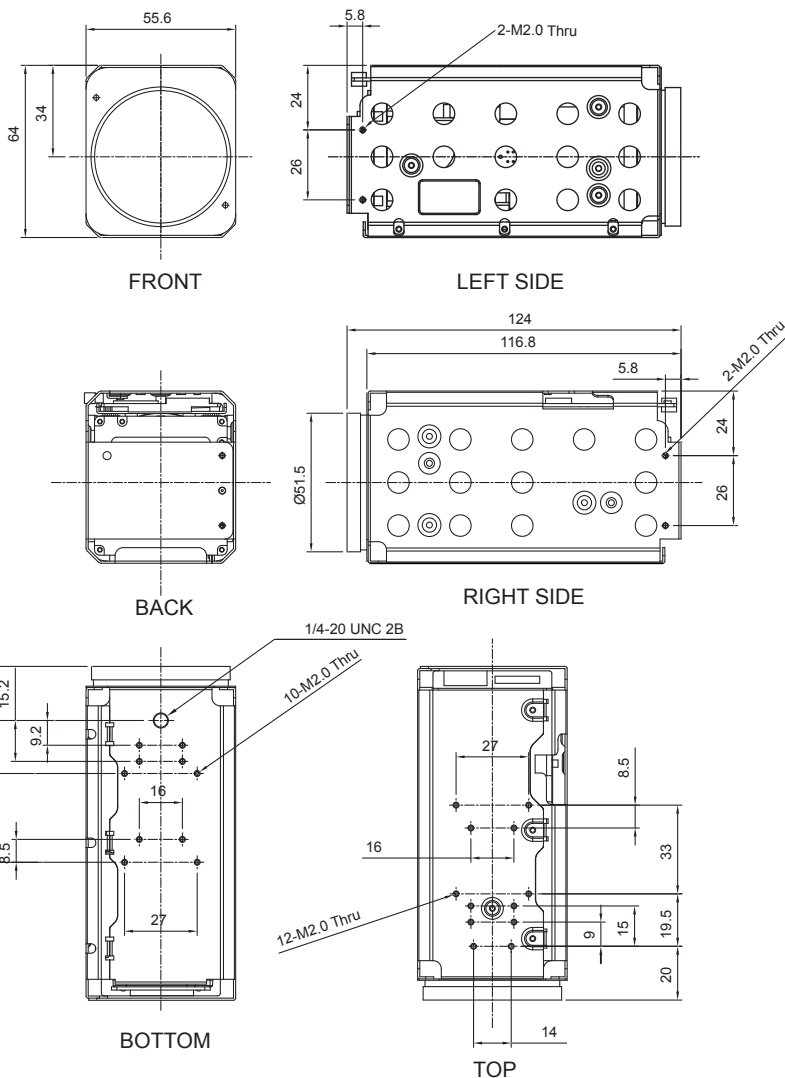


Features

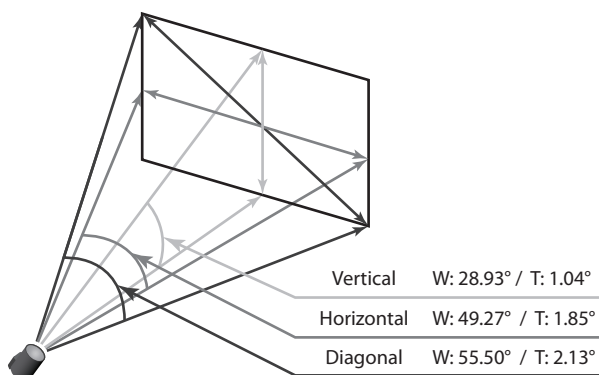
- 1/2" 6MP Sony STARVIS CMOS sensor
- 1440p 30fps, 1080p 30fps, 720p 30fps
- x36 Optical Zoom(6mm~216mm) & x32 Digital Zoom
- F1.5(wide) ~ F4.8(tele)
- Day & Night(ICR)
- Real-time WDR
- Digital Noise Reduction(2D+3D)
- Digital Image Stabilization
- Privacy Mask Function
- High Light Compensation
- Intelligent Motion Detection
- Defog Function
- Supports VISCA, Pelco-D/P Protocol
- Video Out : LVDS, EX-SDI 1.0, EX-SDI 2.0, EX-SDI 2.1, CVBS, HD-T

Dimensions

Unit : mm



Field of View

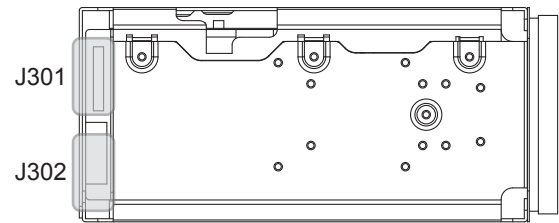


Specifications

MC-S369Q				
Image Sensor	1/2" Sony STARVIS CMOS Image Sensor			
Total Pixels	3,096(H) x 2,094(V) = 6.48M Pixels			
Active Pixels	3,089(H) x 1,744(V) = 5.39M Pixels			
Scanning System	Progressive Scan			
Sync. System	Internal			
Resolution	Digital : 1440p30(25)fps, 1080p30(25)fps, 720p30(25)fps			
	Analog : 700TVL			
Min. Illumination	Color(1/30s) : 0.2 lux, BW(1/30s) : 0.05 lux			
	Color DSS(1/1s) : 0.02 lux, BW(1/1s) : 0.005 lux			
Video Output	HD : LVDS, EX-SDI 1.0, EX-SDI 2.0, EX-SDI 2.1			
	Analog SD : CVBS, HD-T			
S/N Ratio	more than 50dB (AGC off)			
Lens Type	x36 Day & Night Zoom Lens			
Zoom Ratio	Optical x36, Digital x32 Zoom			
Focal Length	f = 6.0 mm ~ 216.0 mm			
Aperture Ratio	F1.5 (wide) ~ F4.8 (tele)			
Angle Of View(D, H, V)	Wide	55.50°	49.27°	28.93°
	Tele	2.13°	1.85°	1.04°
AF Mode	Auto / One Push / Manual			
Min. Distance	0.1 / 1.5 / 3.0 / 5.0 / 10.0 m			
Lens Refresh	One Push / 1 ~ 10Day			
Digital Zoom	Off / MAX x2 ~ x32			
Exposure	AUTO / IRIS.P / SHUT.P / MANUAL			
Gain Control(AGC)	0 ~ 10 steps			
Shutter Speed	1/30(25) ~ 1/30,000 sec			
Iris	0 ~ 20 steps			
Digital Slow Shutter(DSS)	Off / x2 / x4 / x8 / x16 / x32			
Brightness	0 ~ 20 steps			
WDR/BLC	OFF / WDR / BLC			
Day&Night	Auto / Day / Night / Ext-in			
White Balance	Auto / One Push / Manual / Indoor / Outdoor / Auto-Ext			
HLC	Off / On / Night Only			
DNR	Auto / Off / Low / Middle / High			
Mirror	Off / H / V / H&V			
Sharpness	0 ~ 10 steps			
ACE	Off / Low / Middle / High			
Defog	Off / On(Auto / Manual)			
Privacy Mask	Max. 24 Areas			
Motion Detection	Max. 3 Areas			
Defect Detection	Off / On			
System	NTSC / PAL			
Communication	Baud Rate : 2400 / 4800 / 9600 / 19200 / 38400 / 57600 / 115200			
	Protocol : VISCA / Pelco-D / Pelco- P / Update			
Language	English / Simplified Chinese / Traditional Chinese / Japanese			
Power Source	9V to 15V DC			
Power Consumption	500mA			
Power Input	Connector			
Video Output	Connector			
Storage Temperature	-20℃ ~ +60℃ (Humidity : 0%RH ~ 90%RH)			
Operating Temperature	-10℃ ~ +50℃ (Humidity : 0%RH ~ 90%RH)			
Dimensions	55.6(W) x 64(H) x 124(D)			
Weight	400g			

* Design and specifications are subject to change without notice.

Pin Assignment



J301	
1	TXOUT3+
2	TXOUT3-
3	TXCLKOUT+
4	TXCLKOUT-
5	TXOUT2+
6	TXOUT2-
7	TXOUT1+
8	TXOUT1-
9	TXOUT0+
10	TXOUT0-
11	GND
12	TxD
13	RxD
14	DC IN
15	DC IN
16	DC IN
17	DC IN
18	DC IN
19	GND
20	GND
21	TXOUT7+
22	TXOUT7-
23	TXOUT6+
24	TXOUT6-
25	EXSDI+
26	EXSDI-
27	TXOUT5+
28	TXOUT5-
29	TXOUT4+
30	TXOUT4-

J302	
1	GND
2	TxD
3	RxD
4	TWI_SCL
5	GND
6	TWI_SDA
7	GND
8	ADKEY
9	NC
10	D/N-IN
11	NC
12	MD-OUT
13	RS 485-DIR
14	NC
15	GND
16	+5V
17	GND
18	VBS-OUT
19	GND
20	DC IN
21	DC IN
22	DC IN
23	DC IN
24	DC IN

Ref 05002HR-24J05(YEONHO)

Ref USL00-30L-C(KEL Cop.)