

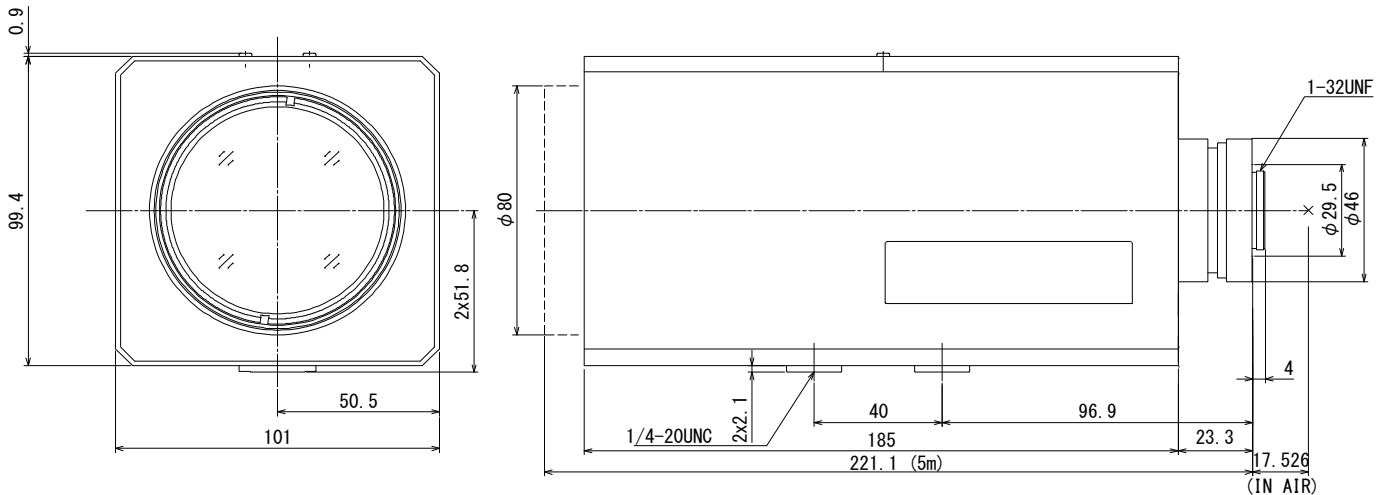
computar

M24Z1527MP-MP

24X 15mm-360mm F2.7
for 2/3 type Megapixel Cameras, Motorized Zoom
C-Mount

Model No.	M24Z1527MP-MP			Effective	Front	ϕ 66mm	
Focal Length	15mm - 360mm			Lens Aperture	Rear	ϕ 13.8mm	
Max. Aperture Ratio	1:2.7			Back Focal Length		19.3mm	
Max. Image Circle	ϕ 11mm			Flange Back Length		17.526mm	
Operation Range	Iris	F2.7 - F22C		Mount		C-Mount	
	Focus	5m - Inf.		Filter Size		M77 P=1mm	
	Zoom	15mm - 360mm		Tripod Screw		1/4 -20UNC	
Control	Iris	Motorized		Dimensions		W101mm x H102.4mm x D221.1mm	
	Focus	Motorized		Weight		2240g	
	Zoom	Motorized					
Angle of View	D	2/3 type	40.2° - 1.8°	1/1.8 type	32.8° - 1.5°	1/2 type	29.4° - 1.3°
	H		32.3° - 1.4°		26.3° - 1.2°		23.6° - 1.0°
	V		24.4° - 1.1°		19.8° - 0.9°		17.8° - 0.8°
	Iris		Focus		Zoom		
Supply Voltage	DC6V		DC6V		DC6V		
Current	90mA or less		90mA or less		90mA or less		
Response Time	Approx. 4.5 sec.		Approx. 6.5 sec.		Approx. 6.5 sec.		
Preset Potentiometer	---		5k Ω VR		5k Ω VR		
Operating Temperature	-10°C - +50°C						

Dimensions



Wiring Diagram

PRESET POTENTIOMETER

