

TAMRON

Global Shutter Type Camera Module MP2030M-GS

Overview

- Thanks to 1/1.8" global shutter image sensor, captures imaging of fast-moving subjects reducing focal plane
- Realizes top class of Horizontal FOV 2.0° at Tele-End using 30x optical zoom lens
- High Quality Video Image : Full HD(1920 x 1080)

Specifications

■ Camera

Image sensor	1/1.8" type CMOS (Progressive Scan)
Pixel Output (H x V)	1920 x 1080, 1280 x 720
Signal system(HD)	1080p/60, 1080p/59.94, 1080p/50, 1080p/30, 1080p/25, 1080i/60, 1080i/59.94, 1080i/50, 720p/60, 720p/50
Signal system(SD)	NTSC/PAL
Minimum illumination	0.2 lx (50% Video Level, F/1.6, 1/30sec, Color) 0.03 lx (50% Video Level, F/1.6, 1/30sec, B&W)
Recommended illumination	100 lx to 100,000 lx
Gain	0~48dB (25 steps)
Shutter speed	1/1 to 1/10,000 sec (22 steps)
Sync system	Internal
Exposure compensation	-12dB to +12dB (Total 13 steps)
Backlight compensation	ON/OFF
Gamma	Normal/Straight/Narrow/Wide(4 modes)
Aperture control	16 steps
White balance	ATW/Manual /One push / Indoor / Outdoor
AE (Auto exposure mode)	Auto, Manual, Shutter Priority, Iris Priority(4 modes)
Lens (wide to tele)	30x optical zoom f=6.5 to 195.0 mm F/1.6 to 5.3 * (design value: f=6.7 to 190mm)
Zoom movement speed (wide to tele)	7.0 sec (Focus Tracking ON)
Digital Zoom	Up to 16 x
Focusing system	Auto, Manual, One push, AF sensitivity
Horizontal viewing angle (wide to tele)	54.0° to 2.0° (INF)
Minimum object distance	0.3m (Wide) .15m (Tele)

■ Interface

Video output (HD)	Digital: Y/Pb/Pr 4:2:2 (LVDS)
Video output (SD)	Analog : NTSC/PAL (CVBS: 1.0Vp-p) * for monitor output
Camera control interface	VISCA protocol * VISCA is a trademark of Sony Corporation.

■ Functions

E.I.S. (Electrical Stabilizer)	Available
Wide-D (Gamma)	Available
BLC (Back Light Compensation)	Available
Day/Night (ICR)	OFF/ON/AUTO
Auto Slow Shutter	Max 1sec
Defog	Available
Noise reduction (3D + 2D)	Available
Digital output	Available
Privacy zone masking	Available
Slow shutter	Available
Picture effects	B & W, Freeze, upside down, rotation
External Trigger(still image)	Available
Spot compensation	Available
Teperature readout	Available
Title Display	Available(1line: 20text, Max 20lines)

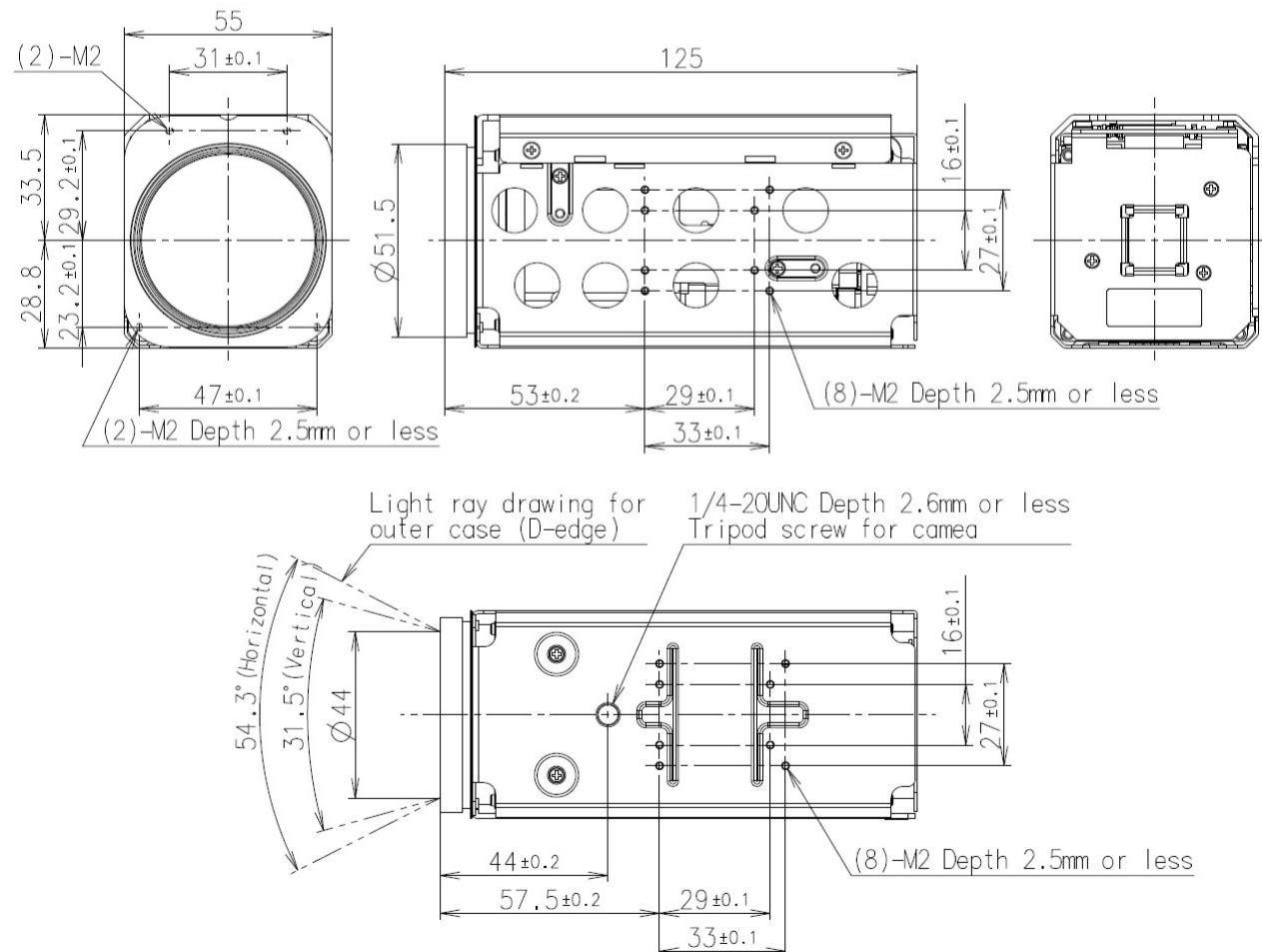
■ General

Power requirement	9 V to 12 V DC
Power consumption	Approx. 5W (under zooming and focusing operation)
Recommended temperature	0°C to +40°C
Operating temperature	-5 °C to +60°C
Storage temperature	-40°C to +60°C
Dimensions (W x H x D)	55 x 62.3 x 125 mm
Weight	Approx. 370g

*Specifications and design subject to change without notice

Dimensions

unit:mm



Model name	Tamron co.Ltd	Category	Issue	Page
MP2030M-GS		Camera Module	2019/6/1	1/1