

HD1375R IR

[SPECIFICATIONS] 3.6Megapixel day/night motorized Zoom Lens

Image Size: $\frac{2}{3}$ $\frac{1}{2}$ $\frac{1}{3}$

Focal Length : 13 – 75mm
 Maximum Relative Aperture : 1:2.2 (Tele End 1:2.2)
 Iris : F2.2 – Close
 Zoom Ratio : 6X
 Angular Field of View : 37.34 X 28.36 deg. at 13mm
 6.65 X 5.01 deg. at 75mm
 Image Format : 8.8 X 6.6mm (D11mm)
 Minimum Object Distance : 1.4m (From Front Vertex)
 Optical Back Focal Distance : 17.44mm (In Air)
 Flange Back : 17.526mm

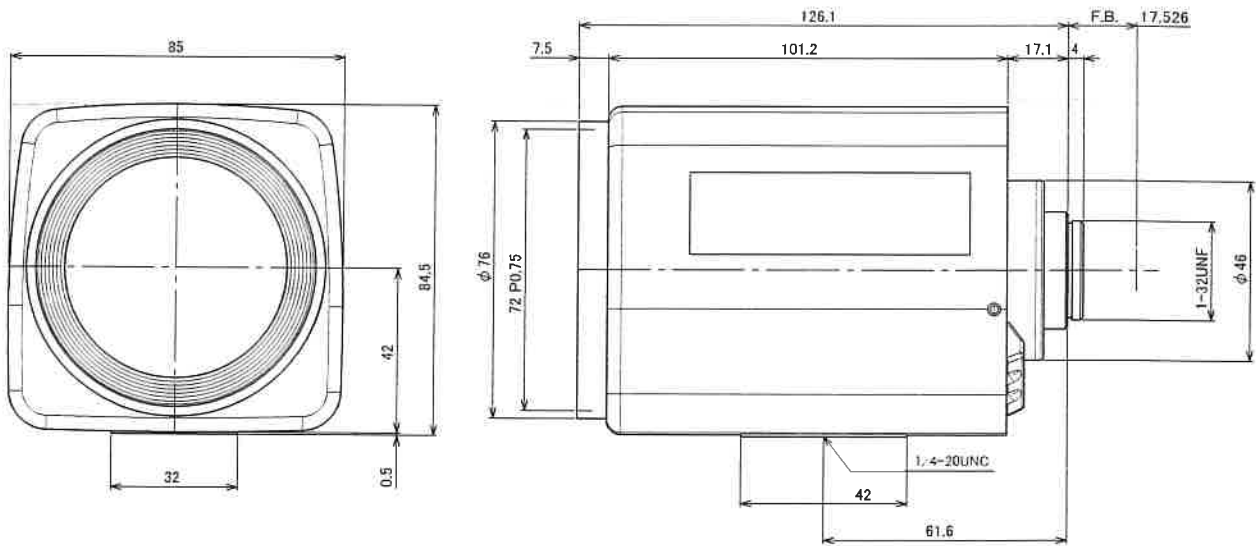
Operation : Zoom : Motorized(DC+/-6.4V, Max40mA)
 Speed Approx. 6.5sec
 Focus : Motorized(DC+/-6.4V, Max40mA)
 Speed Approx. 6.5sec
 Iris : Motorized(DC+/-6.4V, Max40mA)
 Speed Approx. 3.5sec
 Operation Temperature : -10 to +50°C
 Mount : C-Mount (Adjustable Lens Position)
 Front Thread : 72mm P0.75
 Size, Weight : 84.5X85X126.1mm, Approx. 710g

[COMPOSITION]

Lens1
 Lens Cap1
 Dust Cap1

4-Conductor Connector(Female)1
 (Any 4-conductor cable of external dia 6mm to be prepared separately.)

[DIMENSIONS]



Unit:mm

[CIRCUIT DIAGRAM]

