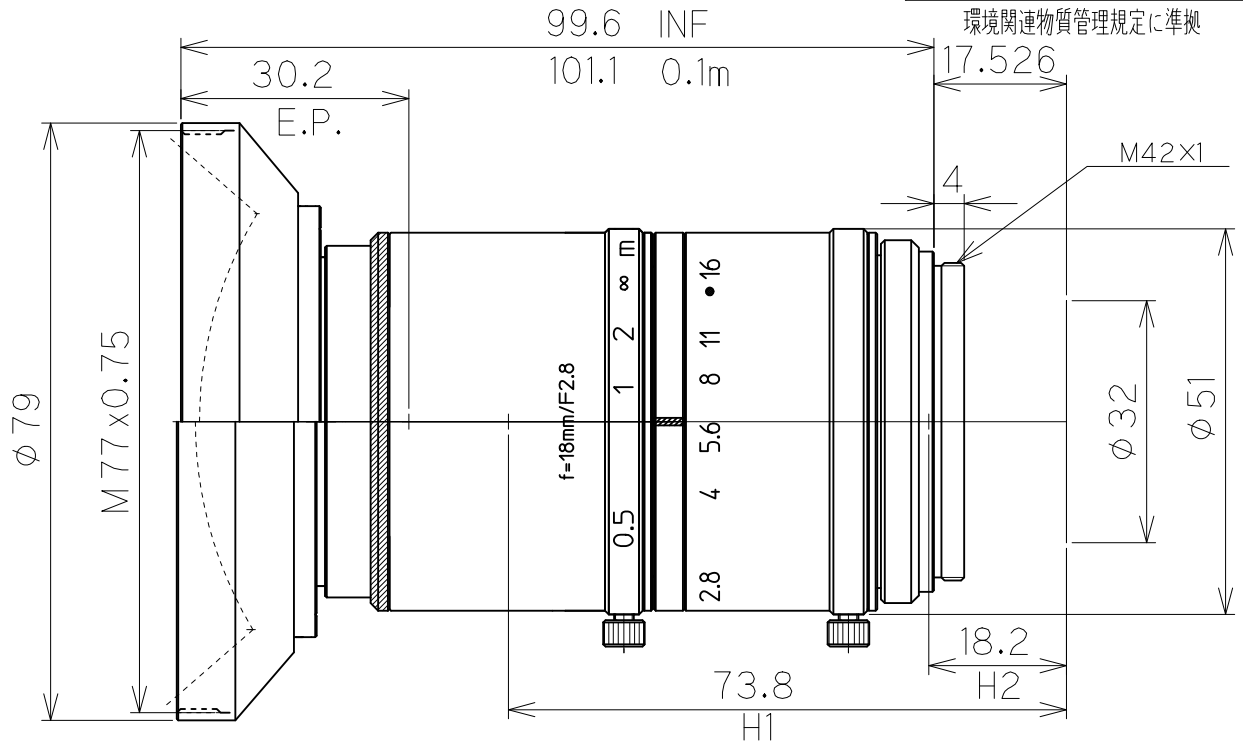


CONFIDENTIAL

環境関連物質管理規定に準拠



2" 2.8/18mm	2"	APS-C	4/3"
FOCAL LENGTH	f=18mm		
F-NUMBER	F=2.8-16		
PICTURE SIZE	25.6x19.6mm	22.3x16.7mm	18.4x13.8mm
ANGLE OF VIEW (∞)	VER. ANGLE	56.1°	49.7°
	HOR. ANGLE	70.5°	63.4°
	DIA. ANGLE	81.8°	74.8°
DISTORTION (TV)	1.25%	0.44%	-0.05%
FIELD OF VIEW (MINIMUM FOCUS DISTANCE)	VER.	128mm	111mm
	HOR.	172mm	149mm
	DIA.	213mm	187mm
MINIMUM FOCUS DISTANCE	0.1m		
FLANGE BACK	17.526mm in air		
BACK FOCUS	15.5mm in air		
FILTER SCREW SIZE	M77x0.75		
FRONT/REAR EFFECTIVE DIA.	FRONT φ55.0mm		REAR φ25.4mm
MOUNT	M42x1		
EXIT PUPIL	-65.1mm		
TEMPERATURE RANGE	-10~+50°C		
STORAGE TEMPERATURE RANGE	-20~+60°C		
RESOLUTION CENTER/CORNER	CENTER 160lp/mm		CORNER 100lp/mm
WEIGHT	460g		

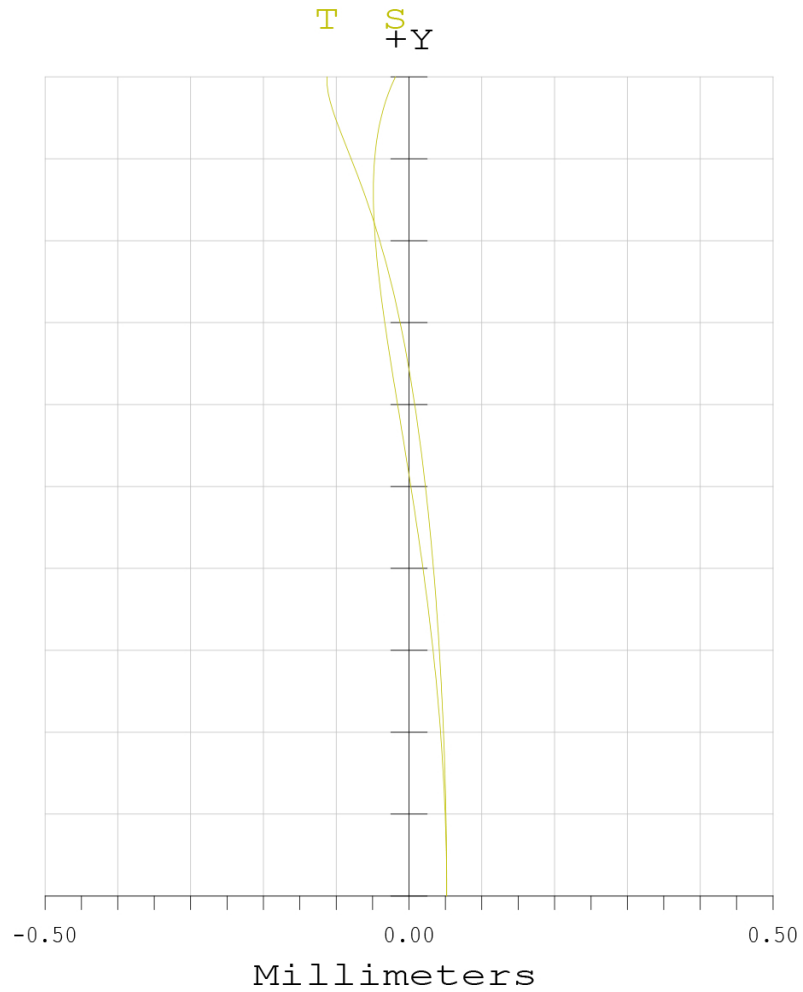
NOTE: Specifications and availability are subject to change without notice

注) 本仕様については、予告なしに変更する場合があります。

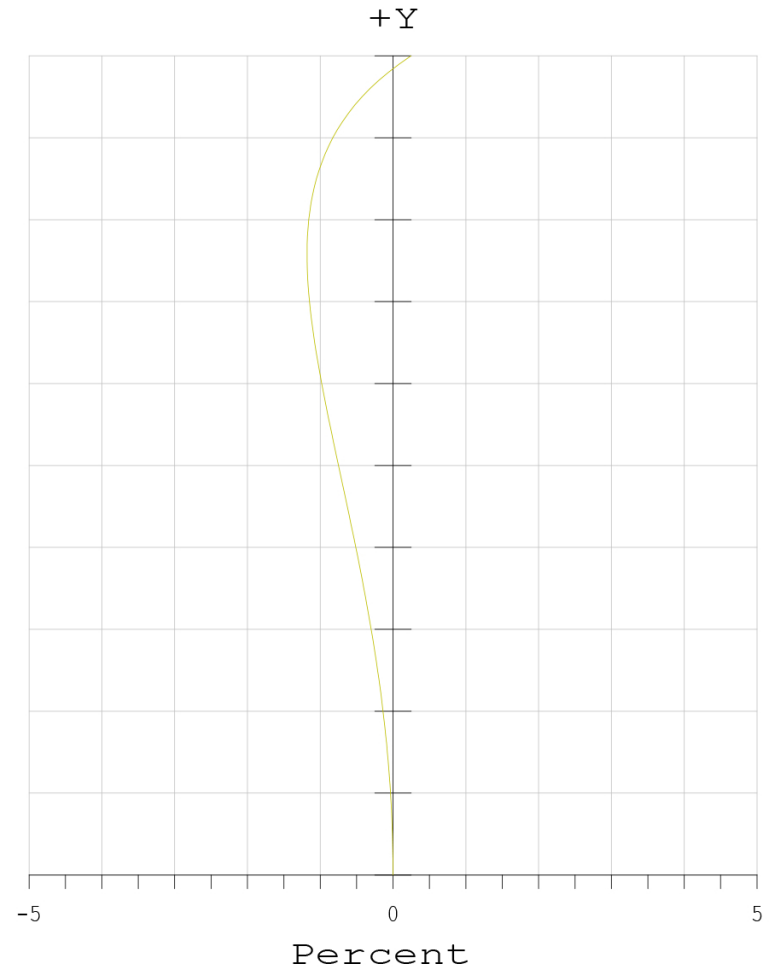


		尺度	1/1	工場番号	LM18VM42
		機種名	2" F2.8 / f=18mm		
		機種番	LM18VM42		
2020.12.8	作成年月日	S10-680			

Field Curvature



Distortion



Field units changed to field angle

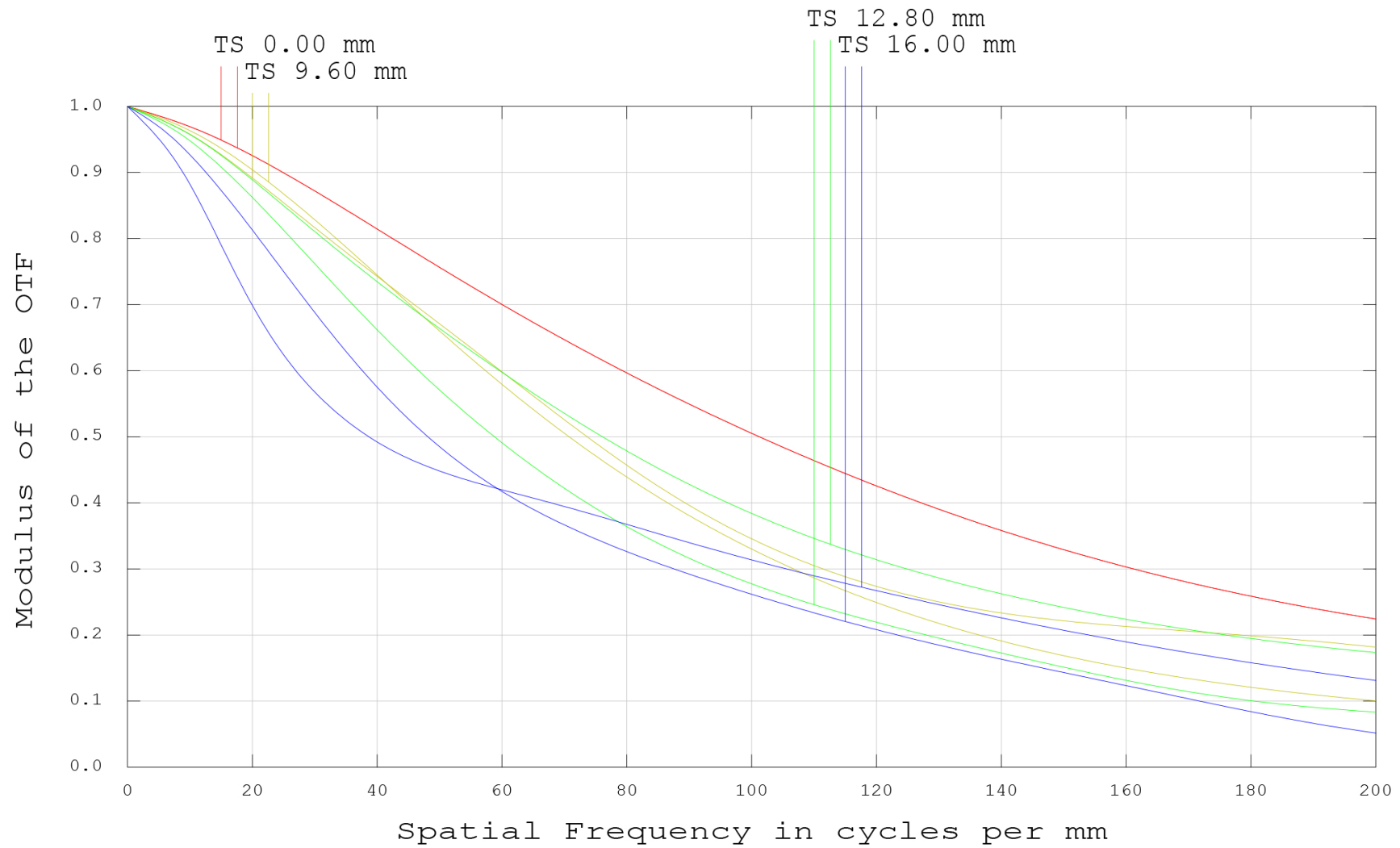
Field Curvature / F-Tan(Theta) Distortion

LM18VM (2inch f=18mm F2.8)

Maximum Field is 40.060 Degrees.

Wavelengths: 0.588



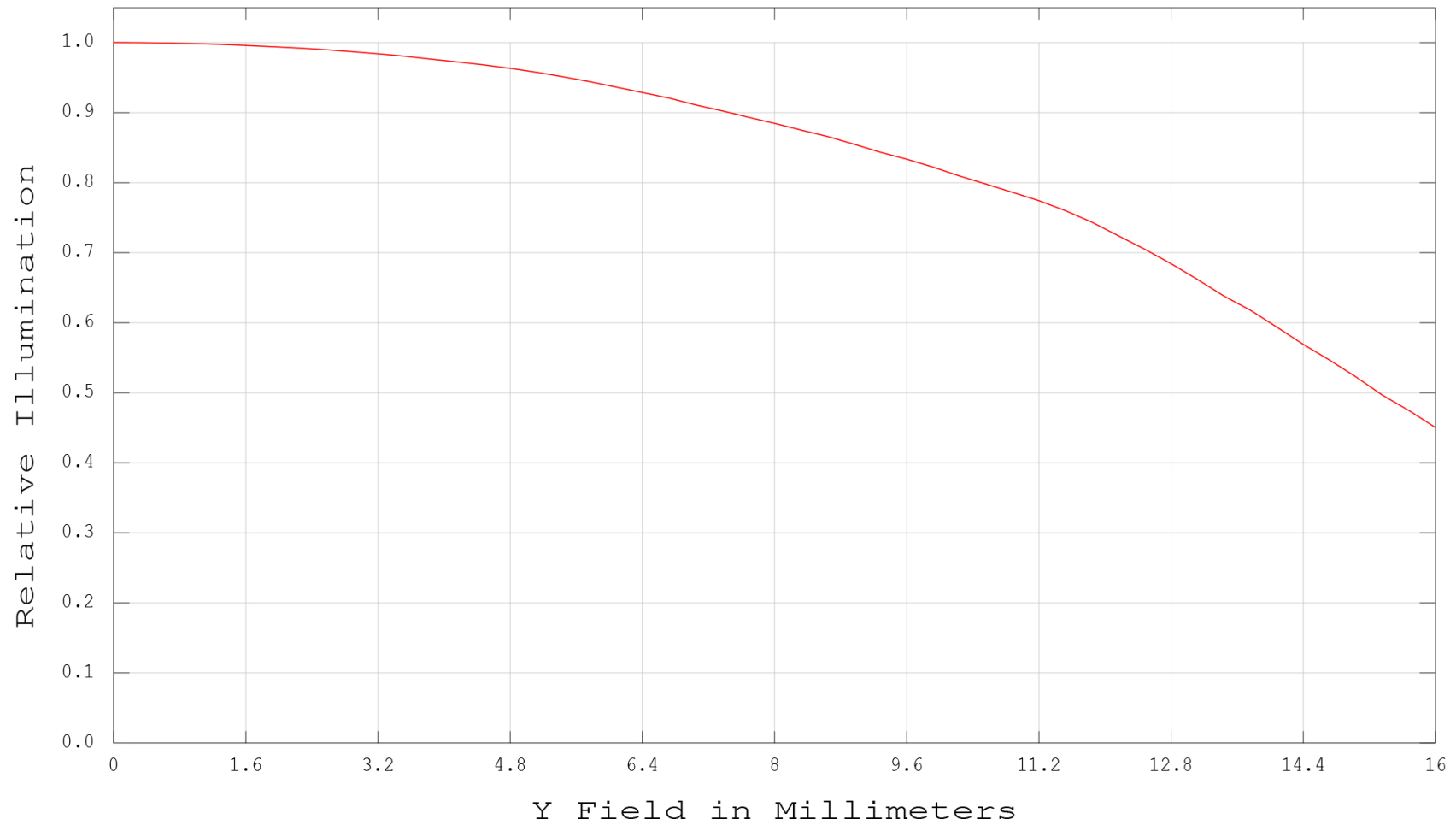


Polychromatic Diffraction MTF

LM18VM (2inch f=18mm F2.8)

Data for 0.4358 to 0.6563 μm .
Surface: Image





Relative Illumination

LM18VM (2inch f=18mm F2.8)

Wavelength: 0.587562 μm



LM18VM Transmission

