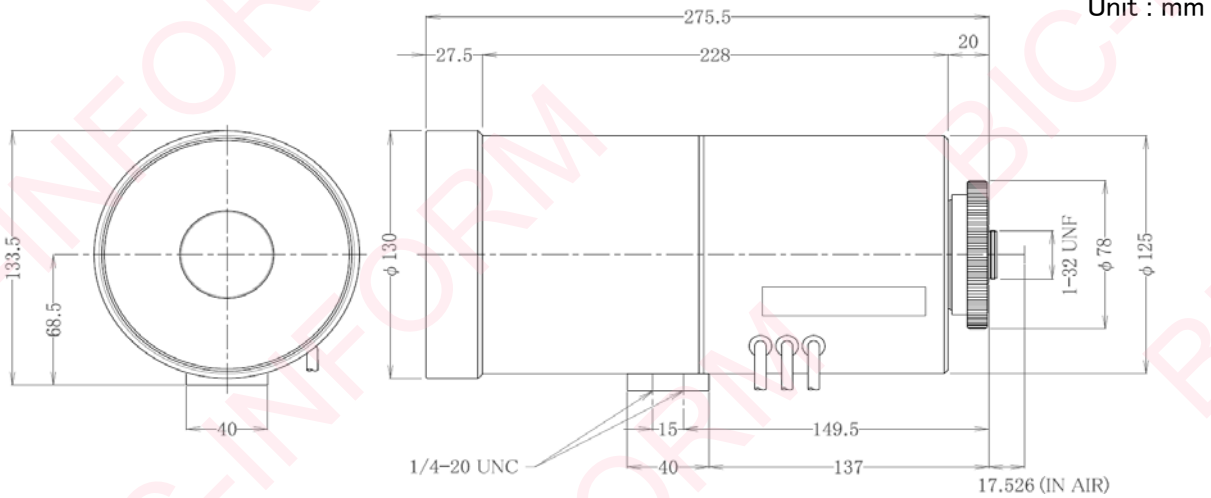


2.5X 520mm-1300mm F4.7
for 1/1.8 type SWIR Cameras, Motorized Reflex Zoom
C-Mount

Model No.	E3Z5247P-MPSW		Effective	Front	φ 120mm
Focal Length	520mm - 1300mm		Lens Aperture	Rear	φ 24.6mm
Max. Aperture Ratio	1:4.7-(11.8)		Back Focal Length	46.8mm - 23.3mm	
Max. Image Circle	φ 8.9mm		Flange Back Length	17.526mm	
Operation Range	Iris	-	Mount	C-Mount	
	Focus	25m - Inf.	Filter Size	-	
	Zoom	520mm - 1300mm	Tripod Screw	1/4 -20UNC	
Control	Iris	—	Dimensions	W130mm x H133.5mm x D277.5mm	
	Focus	Motorized	Weight	2.5kg	
	Zoom	Motorized			
Angle of View	D	IMX990	0.89° - 0.36°	IMX991	0.45° - 0.18°
	H	(H6.40mm x V5.12mm)	0.70° - 0.28°	(H3.20mm x V2.56mm)	0.35° - 0.14°
	V		0.56° - 0.23°		0.28° - 0.11°
	Iris		Focus		Zoom
Supply Voltage	—		DC6-12V	DC6-12V	
Current	—		20mA or less	20mA or less	
Response Time	—		Approx. 15 sec. (12V)	Approx. 5 sec. (12V)	
Preset Potentiometer	—		10k Ω VR	10k Ω VR	
Operating Temperature	-10°C - +50°C				

Dimensions



Wiring Diagram

FOCUS

	Near	Far
GREEN	-	+
BLACK	+	-

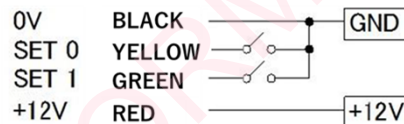
ZOOM

	Tele	Wide
YELLOW	+	-
RED	-	+

PRESET POTENTIOMETER

Supply(+)	ORANGE
Focus Pot. Out	WHITE
Return(-)	GRAY
Zoom Pot. Out	BLUE

FILTER CONTROL



FILTER Selection

SET 0	SET 1	FILTER
OFF	OFF	Glass
ON	OFF	Long Path Filter (830nm)
OFF	ON	Long Path Filter (1300nm)
ON	ON	None