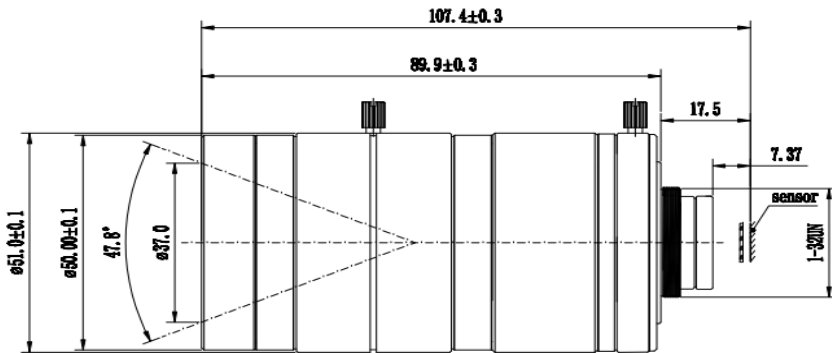


# BLV18M1050MP8



Model: BLV18M1050MP8				
Sensor Size(Inch)	1/1.8"	Iris	Operation	Manual
Resolution(MP)	8MP	Focus	Manual	
Focal Length(mm)	10-50mm	Zoom	Manual	
Aperture Ratio	F1.4	A.FOV(°)( D x H x V )		
Wide:	48.6° x 41° x 23.3°	Φ51 x 94.9mm	1/1.8"	Dimension
Tele:			11.7° x 10° x 5.7°	
M.O.D(m)			0.5M	
Back Focal Length(mm)	7.25	Yes	IR-Correction	
Distortion(%)	W: -0.95% / T: -0.75%		Remark	
Mount	C		Weigt	