

MC-308

1080p 60fps 30x Zoom Module

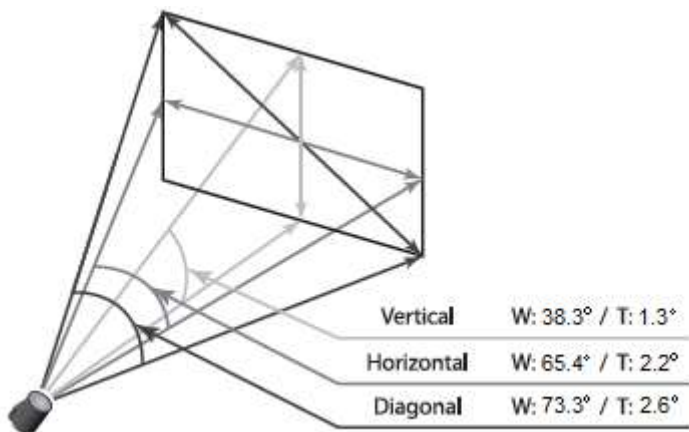
LVDS EX-SDI CVBS



Features

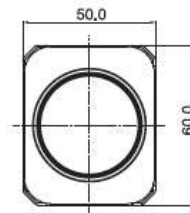
- 1/2.8" 2MP Sony Starvis CMOS sensor
- 1080p 60fps/30fps, 720p 60fps/30fps
- 30x Optical Zoom (4.6mm~136mm) & 32x Digital Zoom
- Day & Night(ICR)
- Real-time True WDR
- Digital Noise Reduction (2D+3D)
- Privacy Mask Function
- Digital Image Stabilization
- High Light Compensation
- Intelligent Motion Detection
- Defog Function
- Supports VISCA, Pelco-D/P Protocol
- Video Out: LVDS, EX-SDI, VBS

Field of View

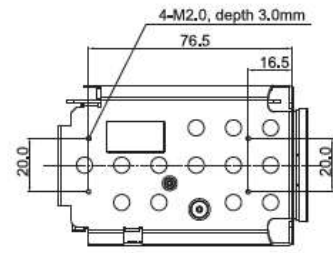


Dimensions

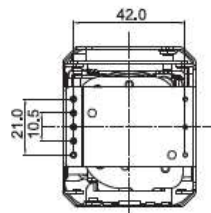
Unit : mm



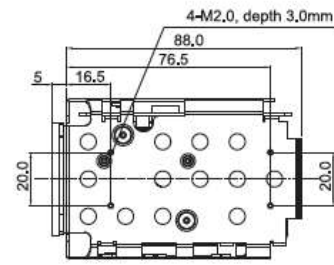
FRONT



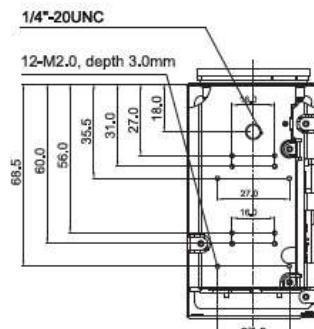
LEFT SIDE



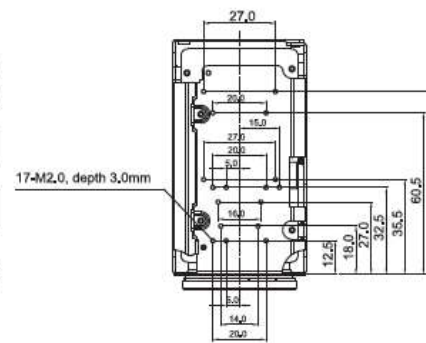
BACK



RIGHT SIDE



BOTTOM

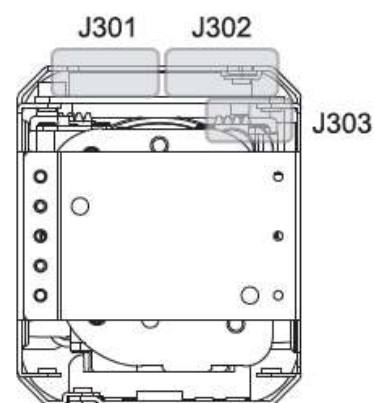


TOP

Specifications

MC-308				
Image Sensor	1/2.8" Sony Starvis CMOS Sensor			
Total Pixels	1,945(H) x 1,109(V) = 2.16M Pixels			
Effective Pixels	1,945(H) x 1,097(V) = 2.13M Pixels			
Scanning System	Progressive Scan			
Sinc. System	Internal			
Resolution	Digital: 1080p/60(50)fps, 1080p/30(25)fps, 720p/60(50)fps, 720p/30(25)fps			
	Analog: 700TVL			
Min. illumination	Color (1/30s) : 0.005 lux, BW (1/30s) : 0.0008 lux			
	Color DSS (1/8s) : 0.00125 lux, BW DSS(1/8s) : 0.0002 lux			
Video Output	HD: LVDS / EX-SDI			
	Analog SD : VBS(without WDR)			
S/N Ratio	more than 50dB (AGC off)			
Lens Type	30x Day & Night Zoom Lens			
Zoom Ratio	Optical x30, Digital x32 Zoom			
Focal Length	f = 4.6mm ~ 136.0mm			
Aperture Ratio	F1.63 (wide) ~ F4.85 (tele)			
Angle of View(D, H, V)	Wide	73.3°	65.4°	38.3°
	Tele	2.6°	2.2°	1.3°
AF Mode	Auto / One Push / Manual			
Min. Distance	0.5 / 1.5 / 3.0 / 5.0 / 10.0 m			
Lens Refresh	One Push / 1 ~ 10Day			
Digital Zoom	Off / MAX x2 ~ x32			
Exposure	Mode / AGC / Shut Speed / Iris / DSS / Flickerless / Brightness / WDR/BLC / D&N			
Gain Control(AGC)	Off / On			
Shutter Speed	1/30(25) ~ 1/30,000 sec			
Iris	0 ~ 20 steps			
Digital Slow Shutter(DSS)	Off / x2 / x4 (/ x8 : 60 or 50 fps mode only)			
Brightness	0 ~ 20 steps			
WDR/BLC	OFF / WDR / BLC			
Day&Night	Auto / Day / Night / Ext-in			
White Balance	Auto / One Push / Manual / Indoor / Outdoor			
HLC	Off / On / Night Only			
DNR	Auto / Off / Low / Middle / High			
Mirror	Off / H / V / H&V			
Sharpness	0 ~ 10 steps			
ACE	Off / Low / Middle / High / User			
Defog	Off / On(Auto / Manual)			
Privacy Mask	Max. 24 Areas			
Motion Detection	Max. 3 Areas			
Defect Detection	Off / On			
System	NTSC / PAL			
Communication	Baud Rate : 2400 / 4800 / 9600 / 19200 / 38400 / 57600 / 115200			
	Protocol : Pelco-P / Pelco-D / VISCA / Update			
Language	English / Simplified Chinese / Traditional Chinese / Japanese			
Power Source	9V to 15V DC			
Power Consumption	550mA			
Power Input	Connector			
Video Output	Connector			
Storage Temperature	-20°C ~ +60°C (Humidity : 0%RH ~ 90%RH)			
Operating	-10°C ~ +50°C (Humidity : 0%RH ~ 90%RH)			
Dimensions	50(W) x 60(H) x 93(D)			
Weight	278g			

Pin Assignment



J301	
1	TXOUT3+
2	TXOUT3-
3	TXCLKOUT+
4	TXCLKOUT-
5	TXOUT2+
6	TXOUT2-
7	TXOUT1+
8	TXOUT1-
9	TXOUTO+
10	TXOUTO-
11	GND
12	TxD
13	RxD
14	DC+12V IN
15	DC+12V IN
16	DC+12V IN
17	DC+12V IN
18	DC+12V IN
19	GND
20	GND
21	TXOUT7+
22	TXOUT7-
23	TXOUT6+
24	TXOUT6-
25	EX-SDI+
26	EX-SDI-
27	TXOUT5+
28	TXOUT5-
29	TXOUT4+
30	TXOUT4-

J302	
1	GND
2	TxD
3	RxD
4	NC
5	GND
6	NC
7	GND
8	ADKEY
9	NC
10	D/N-IN
11	NC
12	MD-OUT
13	485-DIR
14	F/W SEL
15	GND
16	DC+5V OUT
17	GND
18	VBS-OUT
19	GND
20	DC+12V IN
21	DC+12V IN
22	DC+12V IN
23	DC+12V IN
24	DC+12V IN

Ref 05002HR-24J05 (YEONHO)

J303	
1	GND
2	VBS-OUT

Ref 12505WR-02 (YEONHO)

Ref USL00-30L-C (KEL Cop.)

*Design and specifications are subject to change without notice.