

MC-A308

1080p 30fps 30x Zoom Module

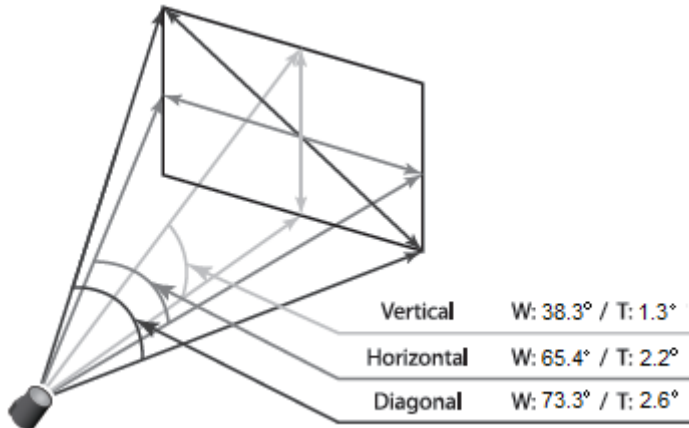
AHD 2.0 CVBS



Features

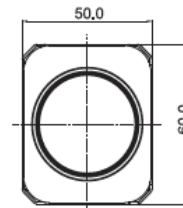
- 1/2.8" 2MP Sony Starvis CMOS sensor
- 1080p 60fps/30fps, 720p 60fps/30fps
- 30x Optical Zoom (4.6mm~136mm) & 32x Digital Zoom
- Day & Night(ICR)
- Real-time True WDR
- Digital Noise Reduction (2D+3D)
- Privacy Mask Function
- Digital Image Stabilization
- High Light Compensation
- Intelligent Motion Detection
- Defog Function
- Supports VISCA, Pelco-D/P Protocol
- Video Out : HD-SDI, EX-SDI, CVBS, AHD

Field of View

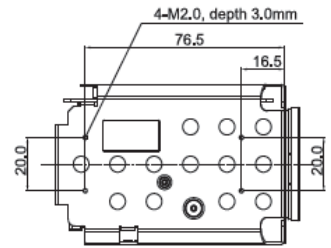


Dimensions

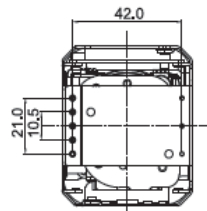
Unit : mm



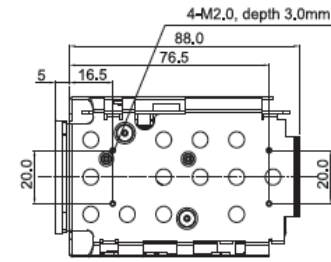
FRONT



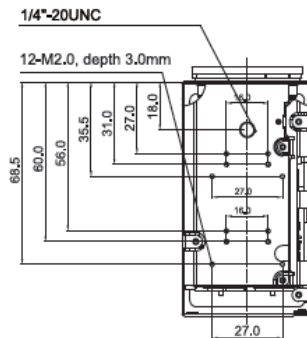
LEFT SIDE



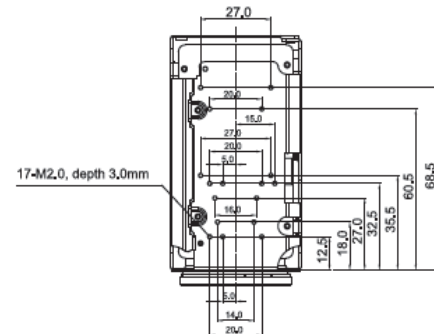
BACK



RIGHT SIDE



BOTTOM



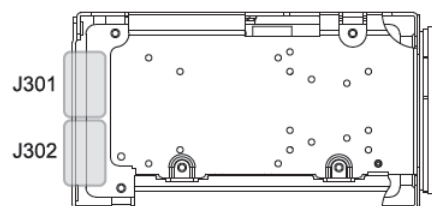
TOP

Specifications

| | | | | |
|---------------------------|---|-------|-------|-------|
| MC-A308 | | | | |
| Image Sensor | 1/2.8" Sony Starvis CMOS Sensor | | | |
| Total Pixels | 1,945(H) x 1,109(V) = 2.16M Pixels | | | |
| Effective Pixels | 1,945(H) x 1,097(V) = 2.13M Pixels | | | |
| Scanning System | Progressive Scan | | | |
| Sinc. System | Internal | | | |
| Resolution | Digital: 1080p/30(25)fps, 720p/60(50)fps, 720p/30(25)fps | | | |
| | Analog: 700TVL | | | |
| Min. illumination | Color(1/30s) : 0.005 lux, BW(1/30s) : 0.0008 lux | | | |
| | Color DSS(1/8s) : 0.00125 lux, BW DSS(1/8s) : 0.0002 lux | | | |
| Video Output | HD : HD-SDI / EX-SDI (Optional) | | | |
| | Analog SD : CVBS(without WDR), AHD | | | |
| S/N Ratio | more than 50dB (AGC off) | | | |
| Lens Type | 30x Day & Night Zoom Lens | | | |
| Zoom Ratio | Optical x30, Digital x32 Zoom | | | |
| Focal Length | f = 4.6mm ~ 136.0mm | | | |
| Aperture Ratio | F1.63 (wide) ~ F4.85 (tele) | | | |
| Angle of View(D, H, V) | Wide | 73.3° | 65.4° | 38.3° |
| | Tele | 2.6° | 2.2° | 1.3° |
| AF Mode | Auto / One Push / Manual | | | |
| Min. Distance | 0.5 / 1.5 / 3.0 / 5.0 / 10.0 m | | | |
| Lens Refresh | One Push / 1 ~ 10Day | | | |
| Digital Zoom | Off / MAX x2 ~ x32 | | | |
| Exposure | Mode / AGC / Shut Speed / Iris / DSS / Flickerless / Brightness / WDR/BLC / D&N | | | |
| Gain Control(AGC) | Off / On | | | |
| Shutter Speed | 1/30(25) ~ 1/30,000 sec | | | |
| Iris | 0 ~ 20 steps | | | |
| Digital Slow Shutter(DSS) | Off / x2 / x4 (/ x8 : 60 or 50 fps mode only) | | | |
| Brightness | 0 ~ 20 steps | | | |
| WDR/BLC | OFF / WDR / BLC | | | |
| Day&Night | Auto / Day / Night / Ext-in | | | |
| White Balance | Auto / One Push / Manual / Indoor / Outdoor | | | |
| HLC | Off / On / Night Only | | | |
| DNR | Auto / Off / Low / Middle / High | | | |
| Mirror | Off / H / V / H&V | | | |
| Sharpness | 0 ~ 10 steps | | | |
| ACE | Off / Low / Middle / High | | | |
| Defog | Off / On(Auto / Manual) | | | |
| Privacy Mask | Max. 24 Areas | | | |
| Motion Detection | Max. 3 Areas | | | |
| Defect Detection | Off / On | | | |
| System | NTSC / PAL | | | |
| Communication | Baud Rate : 2400 / 4800 / 9600 / 19200 / 38400 / 57600 / 115200 | | | |
| | Protocol : Pelco-P / Pelco-D / VISCA / Update | | | |
| Language | English / Simplified Chinese / Traditional Chinese / | | | |
| Power Source | 9V to 15V DC | | | |
| Power Consumption | 500mA | | | |
| Power Input | Connector | | | |
| Video Output | Connector | | | |
| Storage Temperature | -20°C ~ +60°C (Humidity : 0%RH ~ 90%RH) | | | |
| Operating Temperature | -10°C ~ +50°C (Humidity : 0%RH ~ 90%RH) | | | |
| Dimensions | 50(W) x 60(H) x 93(D) | | | |
| Weight | 278g | | | |

*Design and specifications are subject to change without notice.

Pin Assignment



| J301 | |
|------|-----------|
| 1 | GND |
| 2 | TxD |
| 3 | RxD |
| 4 | NC |
| 5 | GND |
| 6 | AHD-OUT |
| 7 | GND |
| 8 | ADKEY |
| 9 | NC |
| 10 | D/N-IN |
| 11 | NC |
| 12 | MD-OUT |
| 13 | 485-DIR |
| 14 | F/W_SEL |
| 15 | GND |
| 16 | DC+5V-OUT |
| 17 | GND |
| 18 | VBS-OUT |
| 19 | GND |
| 20 | DC+12V IN |
| 21 | DC+12V IN |
| 22 | DC+12V IN |
| 23 | DC+12V IN |
| 24 | DC+12V IN |

Ref 05002HR-24J05 (YEONHO)

| J302 | |
|------|-----------|
| 1 | RxD |
| 2 | TxD |
| 3 | GND |
| 4 | DC+12V IN |
| 5 | GND |
| 6 | VBS-OUT |
| 7 | GND |
| 8 | AHD-OUT |
| 9 | GND |

Ref 10019HR-09 (YEONHO)