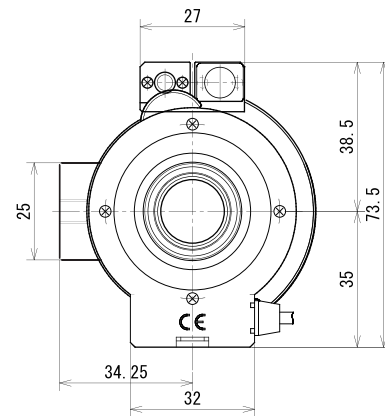
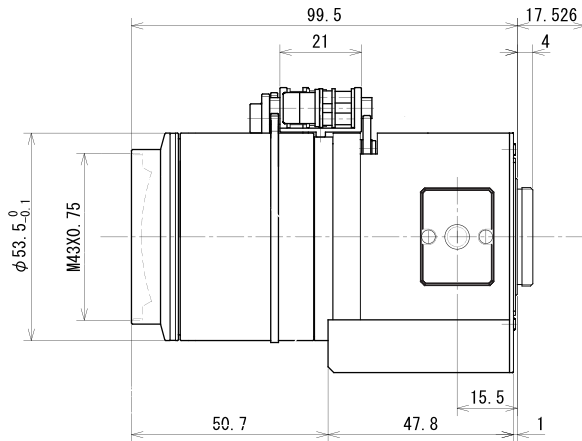
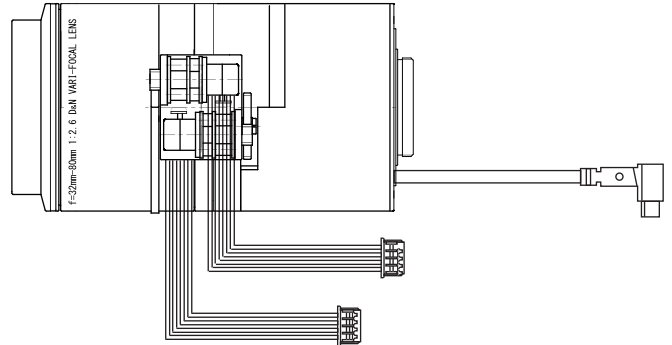
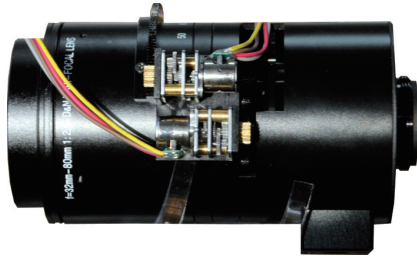


BLVZ1P3280MP12IR



Unit: mm

| | |
|---------------------------------|---------------------------------------------------------------|
| Image Format | 1.1-inch (D18.0) |
| Focal Length | 32-80 mm |
| Relative Aperture | F=1:2.6 (wide to telephoto) |
| Iris Range | 2.6 to 16 |
| Angular Field of View | f32 mm 30.9° x 22.6° f80 mm 9.28° x 6.86° |
| Resolution | 12MP (3.45micron) |
| IR-Correction | Supported |
| M.O.D.(Minimum Object Distance) | 7m |
| Back Focal Length | 16.418 mm |
| Flange Back | 17.526 mm |
| Operation | Focus Motor drive Zoom Motor drive Iris P-Iris |
| Lens Mount | C-mount |
| Filter Screw | M43 P=0.75 |
| Dimensions | 72.75 x 73.5 x 99.5 mm |
| Weight | 350 g |
| Operating Temperature | -10 to +50 °C |